

FERMETURE  
Closing

ACCESSOIRES  
&  
VERRE TREMPÉ  
Accessories  
and tempered glass

SÉCURITÉ  
INCENDIE  
Fire safety

HABITAT  
Interiors

**sevax**  
SAINT-GOBAIN  
HIGHER TECHNOLOGY



## CLOSING SOLUTIONS

JANUS +  
MINOS +  
JANUS LINTEL  
JANUS LINTEL ON PLATE  
TSP  
TSA  
TSDA R&L  
B TWIST CONCEALED  
PIVOT AXIAL R&L  
POWERMATIC R100  
PERKOMATIC R85  
PERKO R1 & R2  
DENSEI HINGES  
D 2580  
D 2550  
D 2050 T  
D 7000/8000  
D8803  
INTEGRA24  
STRAP HINGES, HINGE BEARING & ACCESSORIES

## TEMPERED GLASS SOLUTIONS

B TWIST GLASS  
CLASSIQUE SERIES  
« ESSENTIEL » SERIES

## FIRE SECURITY SOLUTIONS

SMA: LINTEL MOTORIZED LOCK  
SMA : APPLIED TOP MOUNTED MOTORIZED LOCK  
ELECTROMAGNETIC LINTEL JANUS  
ELECTROMAGNETIC GROUND JANUS  
FIRE SAFETY SERIE ELECTROMAGNETIC DAMPERS  
WHEELED DOOR LEAF SELECTORS

## INTERIORS SOLUTIONS

JET SET  
SIRIUS



SOLUTIONS  
**FERMETURE**  
Closing

FERMETURE

**sevax**

SAINT-GOBAIN

HIGHER TECHNOLOGY





## JANUS+ Floor spring

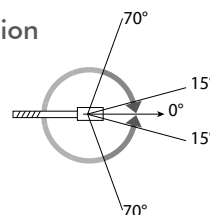


### SCOPE OF APPLICATION

- > Single or double action doors
- > Wooden, metal or tempered glass doors
- > Doors fitted with electric strike plate or access control system

### TECHNICAL DATA

- > 500.000 openings tested cam mechanism
- > Adjustable position in the cement box
- > Opening and self-closing from  $-180^{\circ}$  to  $+180^{\circ}$
- > 3 speed adjustment providing very flexible operation
- > Delayed closing action
- > EN 1154: 1996 + A1: 2002 + AC: 2006



### BENEFITS



- > Multi-purpose floor spring
- > Suitable for slow traffic
- > Compact design
- > Easy adjustments
- > Temperature proof

\* Floor spring no hold open use on fire / smoke evacuation door.  
Floor spring with hold open use only on evacuation door.

### VARIANTS

#### > Strength

- 3 PRM (persons with reduced mobility) with optimised torque for easy opening
- 3
- 4
- 5

#### > Spindles

- Standard axis: square, rectangle



- Option: spindles raised from to + 5 mm to + 15 mm (on demand)

#### > Hold open

- No hold open
- 90°
- 105°
- 180°
- 2 or 3 stop positions
- Customised hold open on demand

### COVER PLATES

#### > Fixation on cement box/Compatibility with Minos+

#### > Standard plates: 285 x 105 mm

(pre-cutted corners for mounting on both sides)

- Polished stainless steel
- Brushed stainless steel
- Polished brass



### CONDITIONS OF USE

#### > Suitable doors:

- Maximum weight: **150 kg**
- Maximum height: **2.400 mm**

Adjustable strength according to following recommendations:

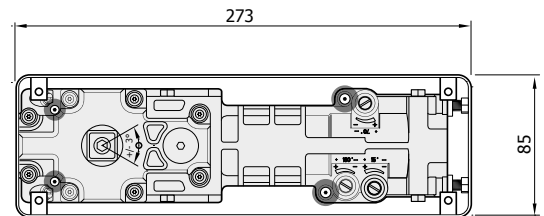
Strength	Recommended maximum width	Maximum opening torque (0°-4°)
3 PMR	950 mm	27 Nm
3	950 mm	33 Nm
4	1.100 mm	47 Nm
5	1.250 mm	56 Nm

Note : Above performance values apply to standard conditions of use, wind-free and vandalism-free.  
For heavy large sized door, with special fitting we recommend to select higher strength.

### INSTALLATION

#### > Size

	Height	Length	Width
Mechanism	48 mm	262 mm	68 mm
Cement box	55 mm	273 mm	85 mm
Adjustable position	8 mm	+/- 3 mm	+/- 5 mm



**SAINT-GOBAIN**  
**SEVA**

**SAINT-GOBAIN SEVA**

43, rue du Pont de Fer  
BP 10176  
71105 Chalons-s-Saône Cedex  
FRANCE

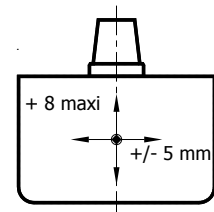
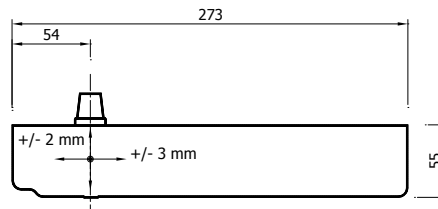
Tél. +33 (0)3 85 47 25 59  
Fax +33 (0)3 85 47 25 38

This document is for information only and is not contractually binding.

[www.sevax.com](http://www.sevax.com)



Installation instructions included



### CUSTOMISATION (subject to minimum quantity)

- Full set including mechanism and cover plate
- Laser engraving or stamped of cover plates

\* See Price list



## MINOS + Floor spring



### SCOPE OF APPLICATION

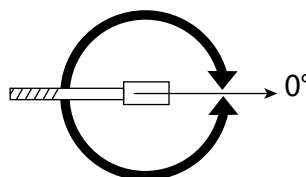
- > Single or double action doors
- > Wooden, metal or tempered glass doors

### TECHNICAL DATA

- > Stainless ZAMAK body
- > Constant closing speed on working temperature range
- > Cam mechanism
- > Opening and self-closing from  $-180^{\circ}$  to  $+180^{\circ}$
- > Adjustable along all three dimensions
- > 1 speed adjustment

### BENEFITS

- > Easy to install
- > Wide rang of regulation
- > Replacement market
- > Reduced footprint



### VARIANTS

#### > Strength

- 3
- 4

#### > Spindles

- Standard axis: square, rectangle



#### > Hold open

- No hold open
- 90°
- 105°

### COVER PLATES

- > Fixation on cement box
- > Compatibility with JANUS+
- > Standard plate: 285 x 105 mm  
(pre-cut corners for fitting against left-hand or right-hand frame)

- Polished stainless steel
- Brushed stainless steel
- Polished brass



### CONDITIONS OF USE

#### > Suitable doors

- Maximum weight: **150 kg**
- Maximum height: **2.400 mm**

Adjustable strength according to following recommendations:

Strength	Recommended maximum width	Maximum opening torque (0°-4°)
3	950 mm	28 Nm
4	1.100 mm	49 Nm

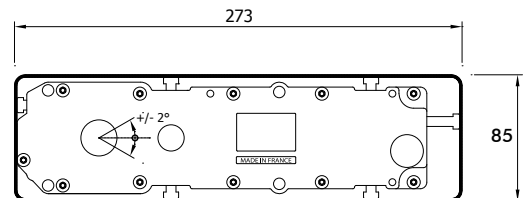
Note : Above performance values apply to standard conditions of use, wind-free and vandalism-free.  
For heavy large sized door, with special fitting we recommend to select higher strength.

### INSTALLATION

#### > Size

	Height	Length	Width
Mechanism	48 mm	252 mm	68 mm
Cement casing	55 mm	273 mm	85 mm
Adjustable position	8 mm	+/- 3 mm	+/- 5 mm

Installation instructions included



SAINT-GOBAIN  
SEVA

SAINT-GOBAIN SEVA

43, rue du Pont de Fer  
BP 10176  
71105 Chalons-s-Saône Cedex  
FRANCE

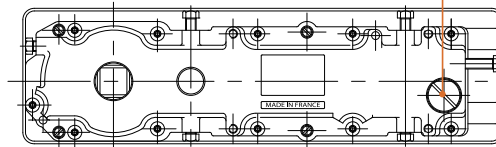
Tél. +33 (0)3 85 47 25 59  
Fax +33 (0)3 85 47 25 38

This document is for information only and is not contractually binding.

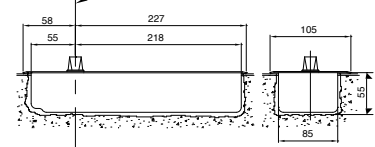
[www.sevax.com](http://www.sevax.com)



#### Adjustment of the speed of closure 180°



#### Axis of rotation



### CUSTOMISATION (subject to minimum quantity)

- Full set including mechanism and cover plate
- Laser engraving or punching for cover plates

\* See Price list



## JANUS LINTEL

Lintel mechanism

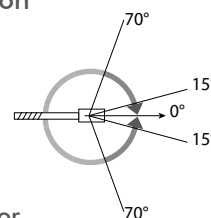


### SCOPE OF APPLICATION

- > Single or double action doors
- > Doors of wood, metal or tempered glass
- > Doors fitted with controlled closure systems: electric strike plate or access control - air valves

### TECHNICAL DATA

- > 500.000 openings tested
- > Reduce footprint
- > Opening and return stroke from  $-180^{\circ}$  to  $+180^{\circ}$
- > 3 speed adjustment providing very flexible operation
- > Delayed action closing
- > Upper transom fitting in wood, aluminium or steel
- > EN 1154: 1996 + A1: 2002 + AC: 2006



\* Floor spring no hold open use on fire / smoke evacuation door.  
Floor spring with hold open use only on evacuation door.

### BENEFITS



- > Invisible
- > Delayed action suitable for slow traffic
- > Adjustable speed depending on traffic



### VARIANTS

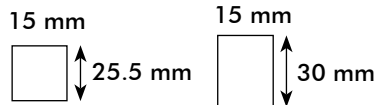
#### > Strength

- 3PMR
- 3
- 4
- 5

#### > Spindles

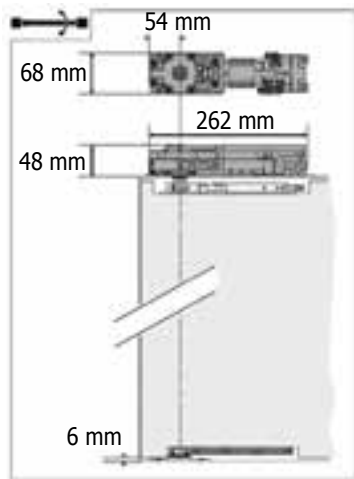
(sold separately)

#### - Height :



#### > Hold open

- No hold open
- 90°
- 105°
- On request
- Customised hold open on demand



### CONDITIONS OF USE

#### > Compatible doors:

- Maximum weight: **150 kg**
- Maximum height: **2.400 mm**

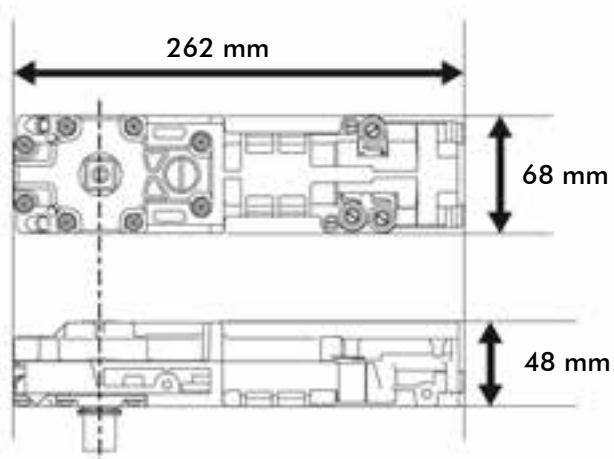
Adjustable strength according to following recommendations:

Strength	Recommended maximum width	Maximum opening torque (0°-4°)
3PMR	950 mm	27 Nm
3	950 mm	33 Nm
4	1.100 mm	47 Nm
5	1.250 mm	56 Nm

Note : Above performance values apply to standard conditions of use, wind-free and vandalism-free. For heavy large sized door, with special fitting we recommend to select higher strength.

### INSTALLATION

#### > Mechanism size:



Instructions included.

The addition of a doorstep at least 2/3 of the way along the door leaf is indispensable.

\* See Price-list

  
**SAINT-GOBAIN**  
**SEVA**

**SAINT-GOBAIN SEVA**

43, rue du Pont de Fer  
 BP 10176  
 71105 Chalon-s-Saône Cedex  
 FRANCE

Tél. +33 (0)3 85 47 25 59  
 Fax +33 (0)3 85 47 25 38

This document is for information only and is not contractually binding.

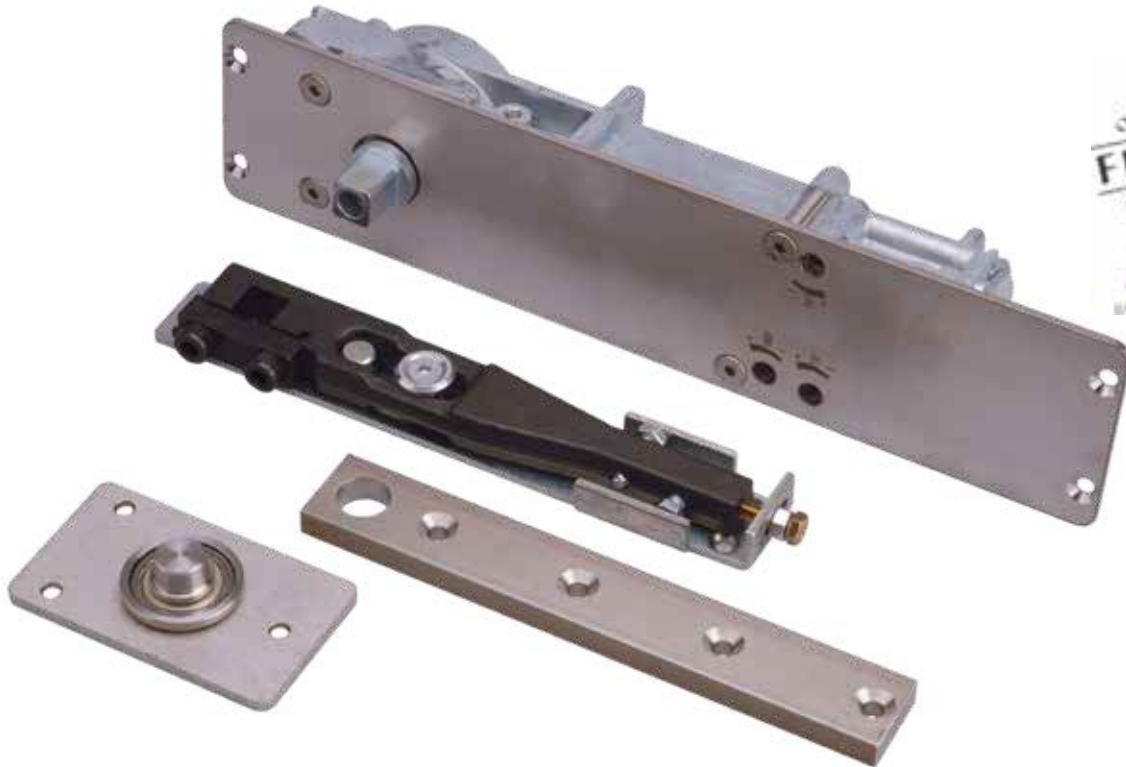
**www.sevax.com**





## JANUS LINTEL ON PLATE

Lintel mechanism

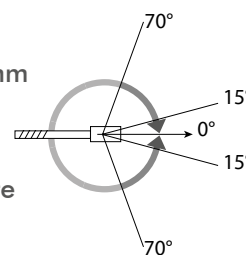


### SCOPE OF APPLICATION

- > Single or double action wood or metals doors
- > Doors fitted with controlled closure systems:  
electric strike plate or access control – air valves
- > Firewall door or flame protection

### TECHNICAL DATA

- > 500.000 openings tested
- > Reduced footprint
- > Opening and self-closing from  $-180^{\circ}$  to  $+180^{\circ}$
- > 3 speed adjustment providing very flexible operation
- > Delayed action closing
- > Without open door stop
- > Removable tip with parallel square, length 25.5 mm
- > EN 1154: 1996 + A1: 2002 + AC: 2006
- > Delivered as complete kit including :
  - Mechanism mounted on stainless steel plate
  - Adjustable double action high strap hinge
  - Low strap hinge
  - Ball bearing hinge



### BENEFITS



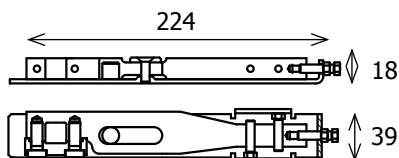
- > Invisible
- > Suitable for slow traffic
- > Full set for doostop
- > Adjustable without dismantling

\* Floor spring no hold open use on fire / smoke evacuation door.  
Floor spring with hold open use only on evacuation door.

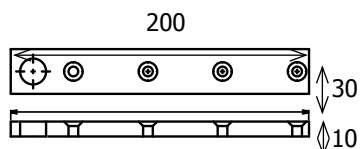
### VARIANTES

- > **Strength**
  - 3 PMR
  - 3
  - 4
  - 5
- > **Hold open**
  - No hold open
  - 90°

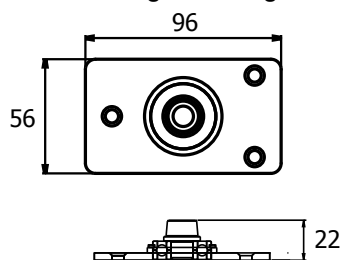
Adjustable high strap hinge



Low strap hinge



Hinge bearing



### CONDITIONS OF USE

- > **Suitable doors :**
  - Maximum door weight: **150 kg**
  - Maximum door height: **2.400 mm**

We recommended you select your strength based on door width, using the table below:

Strength	Recommended maximum width	Maximum opening torque (0°-4°)
3 PMR	950 mm	27 Nm
3	950 mm	33 Nm
4	1.100 mm	47 Nm
5	1.250 mm	56 Nm

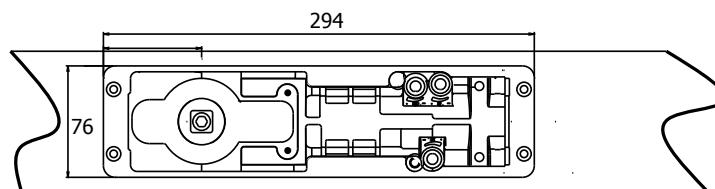
Note : Above performance values apply to standard conditions of use, wind-free and vandalism-free. For heavy large sized door, with special fitting we recommend to select higher strength.

### INSTALLATION

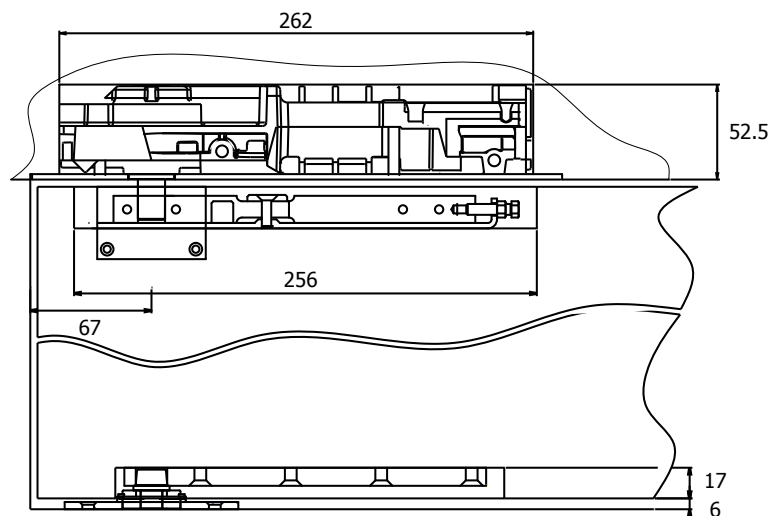
> Size	Length	Width	Height
Device	262 mm	68 mm	48 mm
Plate	292 mm	3 mm	74 mm

Installation instructions are included in the mechanism's packaging. The addition of doorstop is indispensable.

- Size for intel machining:



- Size for Janus reservation (over-stroke):



  
**SAINT-GOBAIN**  
**SEVA**

---

**SAINT-GOBAIN SEVA**  
 43, rue du Pont de Fer  
 BP 10176  
 71105 Chalon-s-Saône Cedex  
 FRANCE  
 Tél. +33 (0)3 85 47 25 59  
 Fax +33 (0)3 85 47 25 38

This document is for information only and is not contractually binding.

[www.sevax.com](http://www.sevax.com)



\* See Price-list



## TSP

### Floor spring

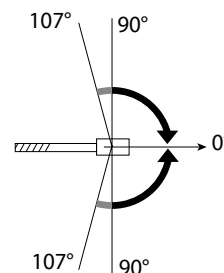


#### FIELD OF APPLICATION

- > Single or double action doors
- > For wooden, metal, aluminium or tempered glass doors

#### TECHNICAL DATA

- > 1.000.000 openings tested<sup>(1)</sup>
- > Adjustable strength from 1 to 3
- > Angular adjustment without cement case
- > Opening and self-closing from  $-107^{\circ}$  to  $+107^{\circ}$
- > Speed adjustment
- > EN 1154: 1996 + A1: 2002 + AC: 2006



#### BENEFITS



- > Sevax prestige brand
- > Adjustable strength
- > Rugged
- > Extra flat

\* Floor spring no hold open use on fire / smoke evacuation door.  
Floor spring with hold open use only on evacuation door.



### VARIANTS

#### > Spindles



#### > Hold open

- No hold open
- 90°
- 105°

### COVER PLATES

#### > Fixation on cement case

#### > Standard plates: 309 x 180 mm

- Polished stainless steel
- Brushed stainless steel
- Polished brass

#### > Large cover plates: 353 x 190 mm

- Polished stainless steel
- Brushed stainless steel



### CONDITIONS OF USE

#### > Suitable doors:

- Maximum weight: **250 kg**
- Maximum height: **2.400 mm**

Adjustable strength according to following recommendations:

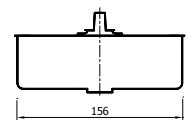
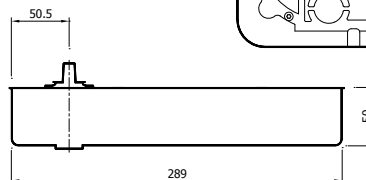
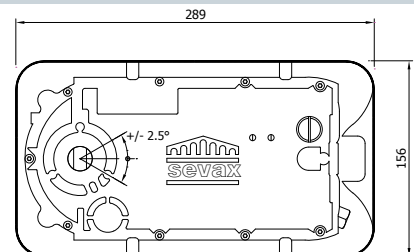
Adjustable strength	Maximum recommended width	Maximum opening torque (0°-4°)
1	750 mm	28 Nm
↓	↓	↓
3	950 mm	45 Nm

Note : Above performance values apply to standard conditions of use, wind-free and vandalism-free. For heavy large sized door, with special fitting we recommend to select higher strength.

### INSTALLATION

#### > Size

	Length	Width	Height
Mechanism	285 mm	135 mm	48 mm
Cement case	289 mm	156 mm	50 mm



Installation instructions included.

Warranty conditions : ground doorstop required to prevent unwanted opening of the door beyond 107°.

**SAINT-GOBAIN**  
**SEVA**

#### SAINT-GOBAIN SEVA

43, rue du Pont de Fer  
BP 10176  
71105 Chalon-s-Saône Cedex  
FRANCE  
Tél. +33 (0)3 85 47 25 59  
Fax +33 (0)3 85 47 25 38

This document is for information only and is not contractually binding.

[www.sevax.com](http://www.sevax.com)



### MODEL

- **TSP CE** Electrical contact - buzzer sounds
- **TSP AF** Closure surge - bolt-strike plate engaged
- **TSP FR** Backcheck - anti-storm
- **TSP GF** Extreme cold - can be used at - 40°C

### CUSTOMISATION (subject to minimum quantity)

- Laser engraving or punching for cover plates

\* See Price-list



## TSA

## Floor spring

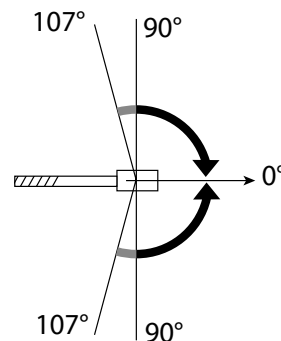


### SCOPE OF APPLICATION

- > Single or double action doors
- > Wooden, metal or tempered glass doors

### TECHNICAL DATA

- > 1.000.000 openings tested<sup>TM</sup>
- > Adjustable strength from 1 to 3
- > 3 dimensional adjustment in its cement case
- > Opening and self-closing from  $-107^{\circ}$  to  $+107^{\circ}$
- > One speed adjustment
- > EN 1154: 1996 + A1: 2002 + AC: 2006



### BENEFITS



- > Sevax prestige brand
- > Adjustable strength
- > Rugged
- > Easy to install

\* Floor spring no hold open use on fire / smoke evacuation door.  
Floor spring with hold open use only on evacuation door.

**VARIANTS**

> **Spindles**



> **Hold open**

- No hold open
- 90°
- 105°

> **Fixation on cement case**

> **Standard plates: 309 x 180 mm**

- Polished stainless steel
- Brushed stainless steel
- Brushed brass

> **Large cover plates: 353 x 190 mm**

- Polished stainless steel
- Brushed stainless steel



**CONDITIONS OF USE**

> **Suitable doors:**

- Maximum weight: **250 kg**
- Maximum height: **2.400 mm**

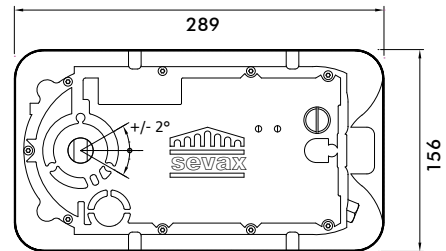
Adjustable strength according to following recommendations:

Adjustable strength	Maximum recommended width	Maximum opening torque (0°-4°)
1	750 mm	28 Nm
↓	↓	↓
3	950 mm	45 Nm

Note : Above performance values apply to standard conditions of use, wind-free and vandalism-free. For heavy large sized door, with special fitting we recommend to select higher strength.

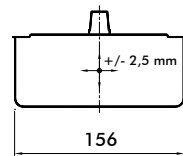
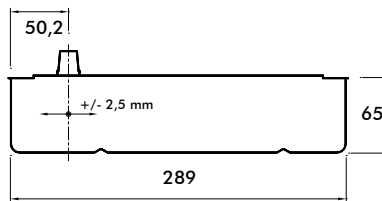
> **Size**

	Length	Width	Height
Mechanism	260 mm	150 mm	53 mm
Cement case	289 mm	156 mm	65 mm



Installation instructions included.

Warranty conditions: ground doorstop required to prevent unwanted opening of the door beyond 107°.



**SAINT-GOBAIN SEVA**

43, rue du Pont de Fer  
BP 10176  
71105 Chalon-s-Saône Cedex  
FRANCE  
Tél. +33 (0)3 85 47 25 59  
Fax +33 (0)3 85 47 25 38

This document is for information only and is not contractually binding.

[www.sevax.com](http://www.sevax.com)



**MODEL**

- > **TSA CE:** electrical contact - buzzer sounds
- > **TSA AF:** closure surge - bolt-strike plate engaged
- > **TSA FR:** backcheck - anti-storm
- > **TSA GF:** extreme cold - can be used at - 40°C

\* See Price list

**CUSTOMISATION** (subject to minimum quantity)

- Laser engraving or punching for cover plates

\* See Price list



## TSDA R&L

Floor spring



### SCOPE OF APPLICATION

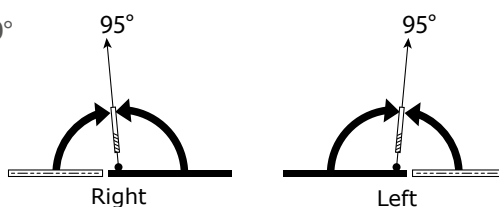
- > Single action doors
- > Wooden, metal or tempered glass doors
- > Rabbet-mounted, on pivot or lift-off hinge

### BENEFITS



### TECHNICAL DATA

- > 1.000.000 openings tested, cam mechanism<sup>(\*)</sup>
- > Adjustable strength from 1 to 3
- > 3 dimensional adjustment in its cement case
- > Maximum opening: 180°
- > Return travel up to 95° - door then released
- > 1 speed adjustable
- > Mono block tip: French square
- > Doorstop: open at 90°
- > Two models





**COVER PLATES**

- > Fixation on cement box
- > Cover plates: 309 x 180 mm
- > Two models: 1 right-hand and 1 left-hand
  - Polished stainless steel
  - Brushed stainless steel



**CONDITIONS OF USE**

- > Suitable doors
  - Maximum weight: **150 kg**
  - Maximum height: **2.400 mm**

Adjustable strength according to following recommendations:

Adjustable strength	Maximum recommended width	Maximum opening torque (0°-4°)
1	750 mm	28 Nm
↓	↓	↓
3	950 mm	45 Nm

Note : Above performance values apply to standard conditions of use, wind-free and vandalism-free. For heavy large sized door, with special fitting we recommend to select higher strength.

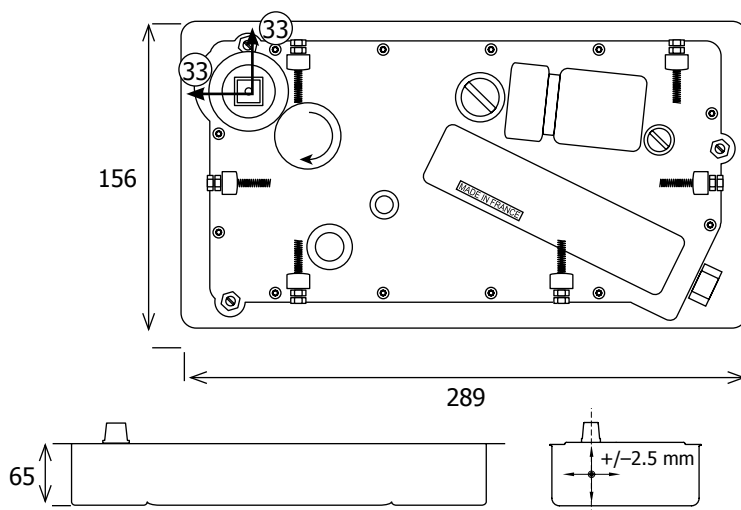
**INSTALLATION**

> Size

	Length	Width	Height
Mechanism	280 mm	150 mm	55 mm
Cement box	289 mm	156 mm	65 mm

Installation instructions included.

Warranty conditions : a connecting hinge and a ground doorstop are required for this type of mechanism.



  
**SAINT-GOBAIN**  
**SEVA**

---

**SAINT-GOBAIN SEVA**

43, rue du Pont de Fer  
 BP 10176  
 71105 Chalon-s-Saône Cedex  
 FRANCE

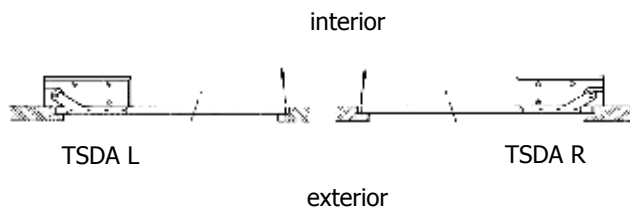
Tél. +33 (0)3 85 47 25 59  
 Fax +33 (0)3 85 47 25 38

This document is for information only and is not contractually binding.

[www.sevax.com](http://www.sevax.com)



**MOUNTING CONFIGURATIONS**



\* See Price list



## B TWIST CONCEALED

Door closers

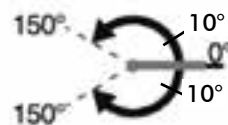


### SCOPE OF APPLICATION

- > Interior doors
- > Single or double-action doors

### TECHNICAL DATA

- > 500.000 opening tested cam mechanism
- > Maximum door open angle 150°
- > 2 closing speed controllers
- > Force 3
- > Adjustable in 2 directions (+/- 3mm)



### BENEFITS

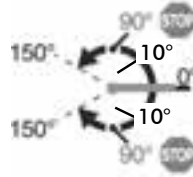
- > Simple and quick installation
- > Non-excavating
- > Visually attractive

### VARIANTS

> No hold open



> Hold open 90°



### FINISHES

> Stainless steel

### CONDITIONS OF USE

> Suitable doors:

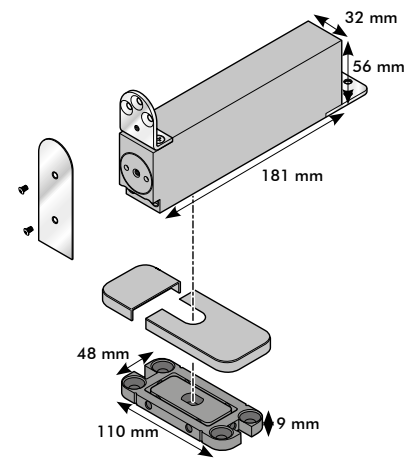
Max. door weight	Door width	Glass thickness	Temperature of use
100 kg	950 mm	40 mm	10°C to 50°C

### INSTALLATION

> Size:

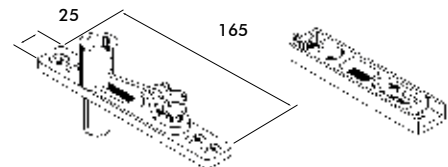
	Length	Width	Height
Mechanism	181 mm	32 mm	56 mm
Socket	110 mm	48 mm	9 mm

Assembly instructions sheet included

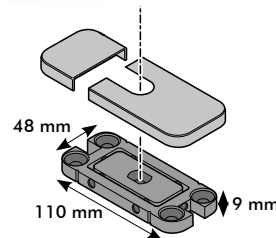


### ACCESSORIES

> Adjustable hinge



> Floor plate B-Twist



> T-Twist



### REFERENCES

**S3306024**

Polish **ZD313505**  
Satin **ZD313504**

**SN314764**

**SAINT-GOBAIN**  
**SEVA**

**SAINT-GOBAIN SEVA**

43, rue du Pont de Fer  
BP 10176  
71105 Chalon-s-Saône Cedex  
FRANCE

Tél. +33 (0)3 85 47 25 59  
Fax +33 (0)3 85 47 25 38

This document is for information only and is not contractually binding.

**www.sevax.com**



\* See Price list



## PIVOT AXIAL R&L

Invisible concealed door closer



### SCOPE OF APPLICATION

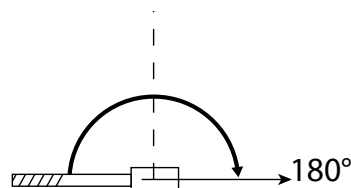
- > Single action metal doors
- > To be integrated in profile

### TECHNICAL DATA

- > Hydraulic braking system tested for 200.000 cycles
- > Adjustable strength at spring level
- > Closure speed adjusting wheel
- > Comes with upper hinge strap and mounting base

### BENEFITS

- > Invisible
- > Wide door leaf





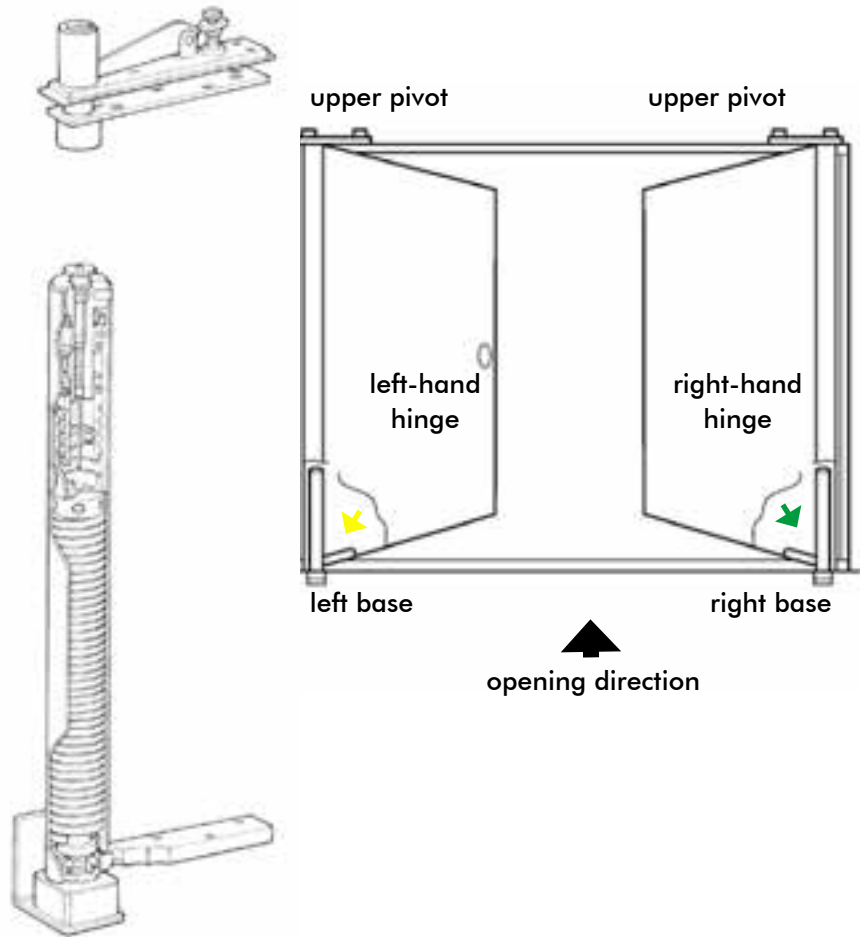
### VARIANTS

> 3 models

Name	Tube diameter	Tube height	Door leaf weight	Door leaf width	Door leaf height
A-10 model	40 mm	335 mm	85 kg	1.000 mm	2.100 mm
A-14 model	40 mm	668 mm	130 kg	1.400 mm	2.100 mm
A-18 model	50 mm	395 mm	200 kg	1.800 mm	2.400 mm

### INSTALLATION

The mechanism comes standard with a mounting gauge.



**SAINT-GOBAIN**  
**SEVA**

**SAINT-GOBAIN SEVA**

43, rue du Pont de Fer  
BP 10176  
71105 Chalon-s-Saône Cedex  
FRANCE

Tél. +33 (0)3 85 47 25 59  
Fax +33 (0)3 85 47 25 38

\* See Price-list

This document is for information only and is not contractually binding.

[www.sevax.com](http://www.sevax.com)





## POWERMATIC R100

Invisible concealed door closers

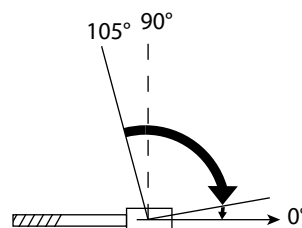


### SCOPE OF APPLICATION

- > Single action doors
- > Wooden doors with wooden frames

### TECHNICAL DATA

- > Bedded in the door leaf
- > 500.000 openings tested
- > Strength 3
- > Opening and return up to 105°
- > 3 speed adjustment
- > Adjustment of final surge
- > Without stop



### BENEFITS



- > Invisible
- > Adjustments: speed and final surge
- > Attractive

\* Floor spring no hold open use on fire / smoke evacuation door.

### FINISHES

- Polished brass
- Shiny chrome
- Satin finish chrome

### CONDITIONS OF USE

#### > Suitable doors :

- Maximum door weight: **80 kg**
- Maximum door height: **2.400 mm**

Note : Above performance values apply to standard terms of use, wind-free and vandalism-free.

Strength	Recommended maximum width	Maximum opening torque (0°-4°)
3	950 mm	24 Nm

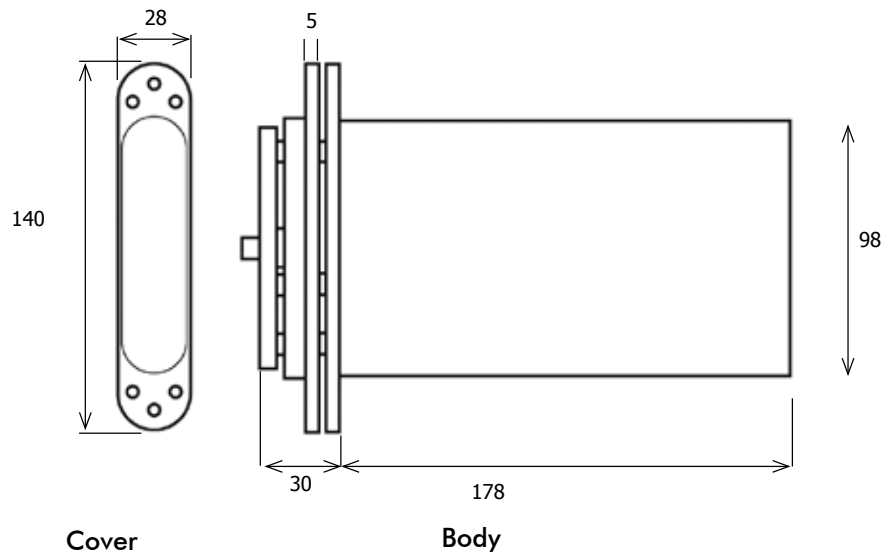
### INSTALLATION

#### > Size

- Mechanism: 208 x 140 x 28 mm

Installation instructions included.

A doorstop must be installed to avoid damage to the mechanism (opening up to 105°).



  
**SAINT-GOBAIN**  
**SEVA**

---

**SAINT-GOBAIN SEVA**  
 43, rue du Pont de Fer  
 BP 10176  
 71105 Chalon-s-Saône Cedex  
 FRANCE  
 Tél. +33 (0)3 85 47 25 59  
 Fax +33 (0)3 85 47 25 38

\* See Price-list

This document is for information only and is not contractually binding.

[www.sevax.com](http://www.sevax.com)





## PERKOMATIC R85

Invisible concealed door closers

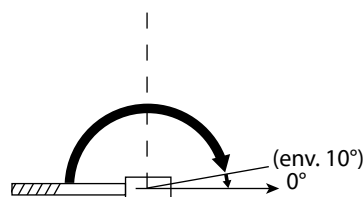


### SCOPE OF APPLICATION

- > Interior single action doors, round plate
- > Wooden doors with wooden frames

### TECHNICAL DATA

- > Bedded in the door leaf
- > Mechanism with chain return; hydraulic soft-close
- > Strength 2
- > Opening and return up to 180°
- > Adjustment of final surge
- > Without stops



### BENEFITS

- > Invisible
- > Opens up to 180°
- > Closure surge

### FINITISHES

- Polished brass
- Shiny chrome

### TERMS OF USE

#### > Suitable doors:

- Maximum weight: **75 kg**
- Maximum height: **2.400 mm**
- Minimum thickness: **35 mm**

Note : Above performance values apply to standard terms of use, wind-free and vandalism-free.

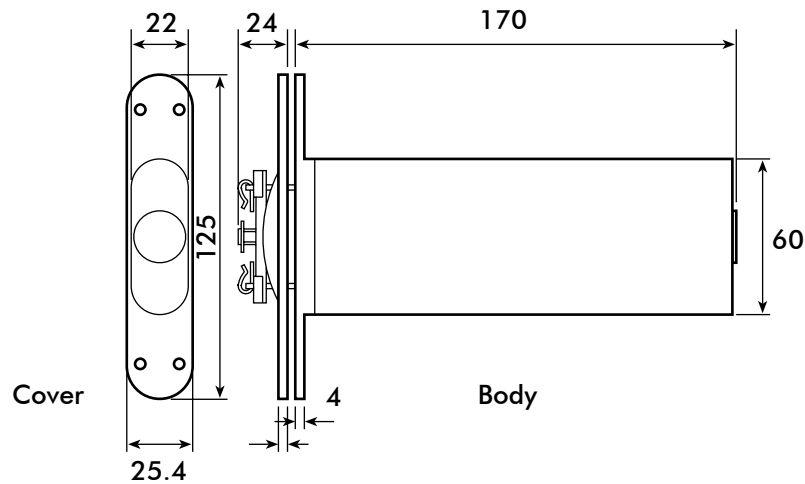
Strength	Recommended maximum width	Maximum opening torque (0°-4°)
2	850 mm	10 Nm

### INSTALLATION

#### > Size

- Mechanism: 194 x 125 x 25.4 mm

Installation instructions included.



**SAINT-GOBAIN**  
**SEVA**

**SAINT-GOBAIN SEVA**

43, rue du Pont de Fer  
BP 10176  
71105 Chalon-s-Saône Cedex  
FRANCE

Tél. +33 (0)3 85 47 25 59  
Fax +33 (0)3 85 47 25 38

This document is for information only and is not contractually binding.

[www.sevax.com](http://www.sevax.com)



### REFERENCES

Model	Polished Brass	Bright chromed
PERKO - Perkomatic R85	FP00R85LC	FP00R85LP



## PERKO R1&R2

Invisible concealed door closers

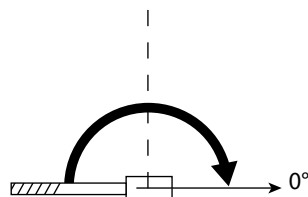


### SCOPE OF APPLICATION

- > Interior single action doors
- > Wooden doors with wooden frames

### TECHNICAL DATA

- > Bedded in the door leaf
- > Opening and return up to 180°
- > Without stops



### BENEFITS

- > Invisible
- > Perko prestige brand
- > Economical
- > Solution for the home



### VARIANTS

- > **R1: round cover**
- > **R2: rectangular cover**
- > **R21: round cover, elongated mechanism**  
(to be used with deported "lift-off hinges")

### FINISHES

- |  |   |
|--|---|
| <ul style="list-style-type: none"> <li>&gt; <b>R1 &amp; R2</b></li> <li>- Polished brass</li> <li>- Shiny chrome</li> <li>- Satin finish chrome</li> </ul> | <ul style="list-style-type: none"> <li>&gt; <b>R21</b></li> <li>- Polished brass</li> </ul> |
|--|---|

### CONDITIONS OF USE

- > **Suitable doors**
  - Maximum weight: **50 kg**
  - Maximum height: **2.400 mm**
  - Minimum thickness: **35 mm**

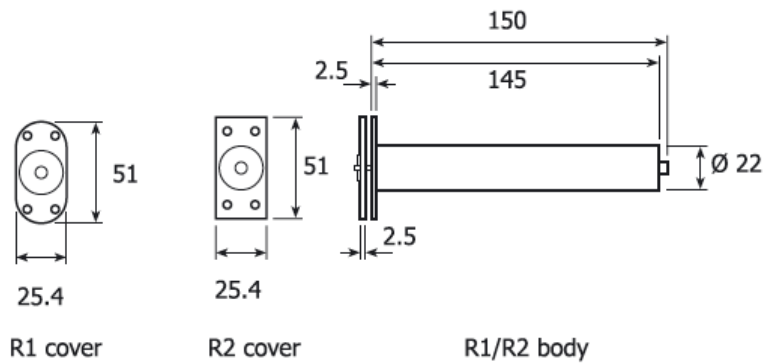
Note : Above performance values apply to standard terms of use, wind-free and vandals-free.

Strength	Recommended maximum width	Maximum opening torque (0°-4°)
1	850 mm	8 Nm

### INSTALLATION

#### > Size R1 & R2

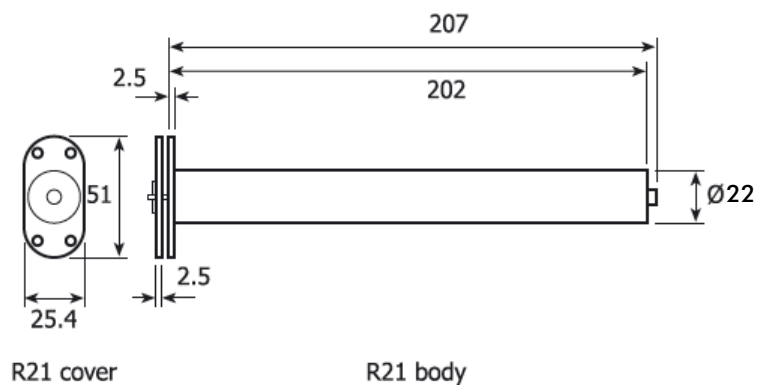
- Mechanism: 152.5 x 51 x 25.4 mm



#### > Size R21

- Mechanism: 209.5 x 51 x 25.4 mm

Installation instructions included.





**SAINT-GOBAIN**

**SEVA**

---

**SAINT-GOBAIN SEVA**

43, rue du Pont de Fer  
BP 10176  
71105 Chalon-s-Saône Cedex  
FRANCE

Tél. +33 (0)3 85 47 25 59  
Fax +33 (0)3 85 47 25 38

[www.sevax.com](http://www.sevax.com)



### REFERENCES

Désignation	polished brass	satin chromed	chromed brass
PERKO - Perko R1	FP000R1LC	FP000R1LCS	FP000R1LP
PERKO - Perko R2	FP000R2LC	FP000R2LCS	FP000R2LP
PERKO - Perko R21	•	•	FP000R21LP



## DENSEI HINGES

Active Hinges



### SCOPE OF APPLICATION

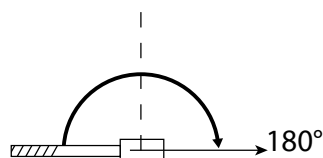
- > Single action doors
- > Wood - wooden framework

### TECHNICAL DATA

- > Delivered in pairs (1 spring hinge + 1 soft-close hinge) for standard doors (max. weight 60 kg)
- > Rabbet-mounted
- > Speed adjustment by screw on "soft-close" hinges
- > Tested for 250.000 cycles
- > Finish: grey

### BENEFITS

- > Attractive
- > Integrated system
- > Adjustable speed



### VARIANTS

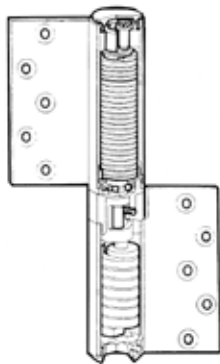
- > Hold open
- No hold open

- > Accessory hinges
- Without soft-close, without stroke

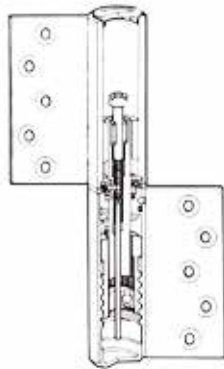
### TERMS OF USE

<i>Typ of fitting</i>	<i>Model</i>	<i>Fonction</i>	<i>Maximum width of the door leaf</i>	<i>Maximum weight of the door leaf</i>	<i>Minimum thickness of the door leaf</i>
wooden door & wooden frame	113	retarder-cylinder	900 mm	60 kg	30 mm
wooden door & wooden frame	110	lift-off hinge	900 mm	60 kg	30 mm

### INSTALLATION

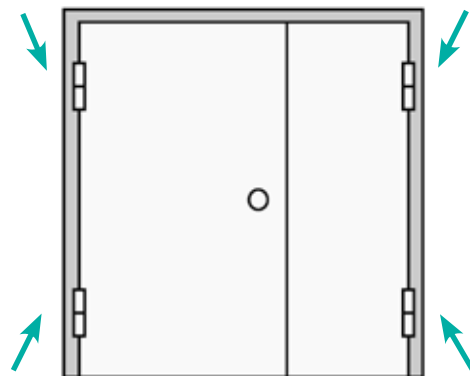


Spring-loaded hinge



Soft-close hinge

Spring-loaded hinge      Accessory hinge



Soft-close hinge

Accessory hinge

### REFERENCES

Model	Right	Left
113 DENSEI	WA75810X	WA758110X
110 Accessories	WA75813X	WA758130X

SAINT-GOBAIN  
SEVA

**SAINT-GOBAIN SEVA**

43, rue du Pont de Fer  
BP 10176  
71105 Chalon-s-Saône Cedex  
FRANCE

Tél. +33 (0)3 85 47 25 59  
Fax +33 (0)3 85 47 25 38

This document is for information only and is not contractually binding.

[www.sevax.com](http://www.sevax.com)





## D 2580

Top mounted door closers

### RYOBI



#### SCOPE OF APPLICATION

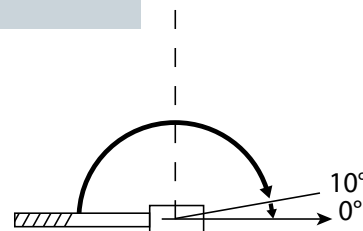
- > Single action doors
  - Wood
  - Metal
  - Tempered glass with special accessories

#### BENEFITS



#### TECHNICAL DATA

- > Rack pinion mechanism tested 500.000 cycles
- > Adjustable strength from 1 to 4
- > Link-arm
- > Body made of high resistance moulded aluminium
- > Screw-adjusted braking when opening
- > Backcheck as standard, adjustable by needle valve
- > Stainless steel cover
- > EN 1154: 1996 + A1: 2002 + AC: 2006



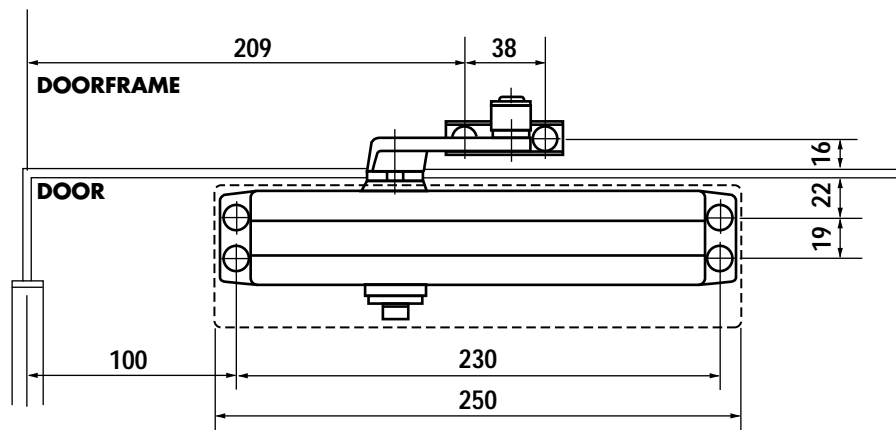
\* Floor spring no hold open use on fire / smoke evacuation door.

## CONDITIONS OF USE

Adjustable strength	Maximum recommended width	Maximum opening torque (0°-4°)	Maximum weight
1	750 mm	23 Nm	80 kg
↓	↓	↓	
4	1.100 mm	39 Nm	

## INSTALLATION

Drilling template included.



## OPTION

> Parallel arm mounting support

\* See Price-list

SAINT-GOBAIN  
SEVA

## SAINT-GOBAIN SEVA

43, rue du Pont de Fer  
BP 10176  
71105 Chalon-s-Saône Cedex  
FRANCE

Tél. +33 (0)3 85 47 25 59  
Fax +33 (0)3 85 47 25 38

This document is for information only and is not contractually binding.

[www.sevax.com](http://www.sevax.com)





## D 2550

Top mounted door closers

### RYOBI



#### SCOPE OF APPLICATION

- > Single action doors
  - Wood
  - Metal
  - Tempered glass with special accessories

#### TECHNICAL DATA

- > Rack pinion mechanism tested for 500.000 cycles
- > Adjustable strength from 1 to 4
- > Reversible link-arm
- > Backcheck adjustable 75°-180°
- > Backcheck as standard, adjustable by needle valve
- > Anti-corrosion protection
- > EN 1154: 1996 + A1: 2002 + AC: 2006

#### BENEFITS



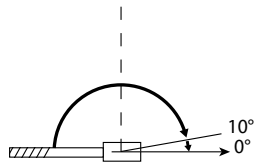
- > Adjustable strength
- > Reversible link-arm

\* Floor spring no hold open use on fire / smoke evacuation door.



#### FINISH

> Silver

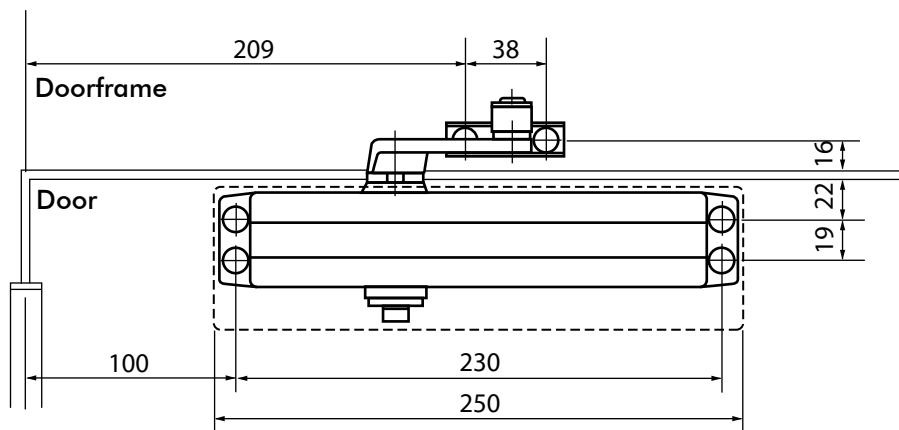


#### CONDITIONS OF USE

Adjustable strength	Recommended maximum width	Maximum opening torque (0°-4°)	Maximum weight
1	750 mm	23 Nm	80 kg
↓	↓	↓	
4	1.100 mm	39 Nm	

#### INSTALLATION

Drilling template included



SAINT-GOBAIN  
SEVA

**SAINT-GOBAIN SEVA**

43, rue du Pont de Fer  
BP 10176  
71105 Chalon-s-Saône Cedex  
FRANCE

Tél. +33 (0)3 85 47 25 59  
Fax +33 (0)3 85 47 25 38

This document is for information only and is not contractually binding.

[www.sevax.com](http://www.sevax.com)



#### OPTIONS

- > Din mounting support plate
- > Supports for glass door (mechanism and/or arm)

\* See Price-list



## D 2050 T

Top mounted door closers

### RYOBI

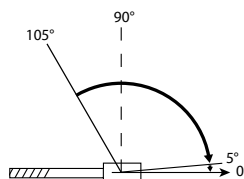


#### SCOPE OF APPLICATION

- > Simple action doors
  - Wood
  - Metal
  - Tempered glass with special accessories

#### TECHNICAL DATA

- > Rack pinion mechanism tested 500.000 cycles
- > Strength 3
- > Anti-vandalism arm
- > Backcheck adjustable 60°-105°
- > Backcheck as standard, adjustable by needle valve
- > Anti-corrosion protection
- > EN 1154: 1996 + A1: 2002 + AC: 2006



#### BENEFITS



- > Anti-vandalism boom

\* Floor spring no hold open use on fire / smoke evacuation door.

RYOBI

## FINITION

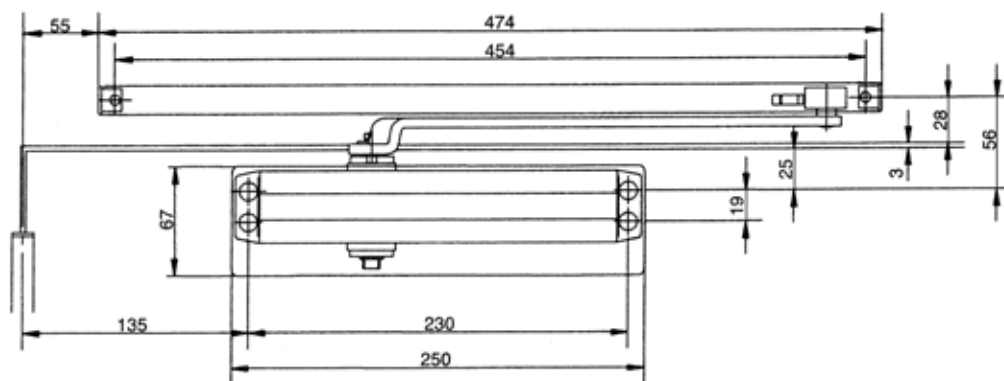
&gt; Silver

## CONDITIONS OF USE

Strength	Recommended maximum width	Maximum opening torque (0°-4°)	Maximum weight
3	950 mm	24 Nm	60 kg

## INSTALLATION

Drilling template included.



## OPTIONS

- > DIN mounting support plate
- > Glass door support (mechanism)
- > Stop module for anti-vandalism boom
- > Open door stop module

\* See Price-list

SAINT-GOBAIN  
SEVA

## SAINT-GOBAIN SEVA

43, rue du Pont de Fer  
BP 10176  
71105 Chalon-s-Saône Cedex  
FRANCE

Tél. +33 (0)3 85 47 25 59  
Fax +33 (0)3 85 47 25 38

This document is for information only and is not contractually binding.

[www.sevax.com](http://www.sevax.com)



SAINT-GOBAIN  
SEVA



## D 7000/8000

Top mounted door closers

## RYOBI

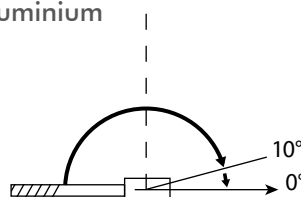


### SCOPE OF APPLICATION

- > Single action doors
  - wood
  - metal
  - tempered glass

### TECHNICAL DATA

- > Rack pinion mechanism tested for 500.000 cycles
- > Link-arm
- > Body made of high resistance moulded aluminium
- > Two different closing speeds
- > Anti-corrosion protection
- > Silver finish



### BENEFITS

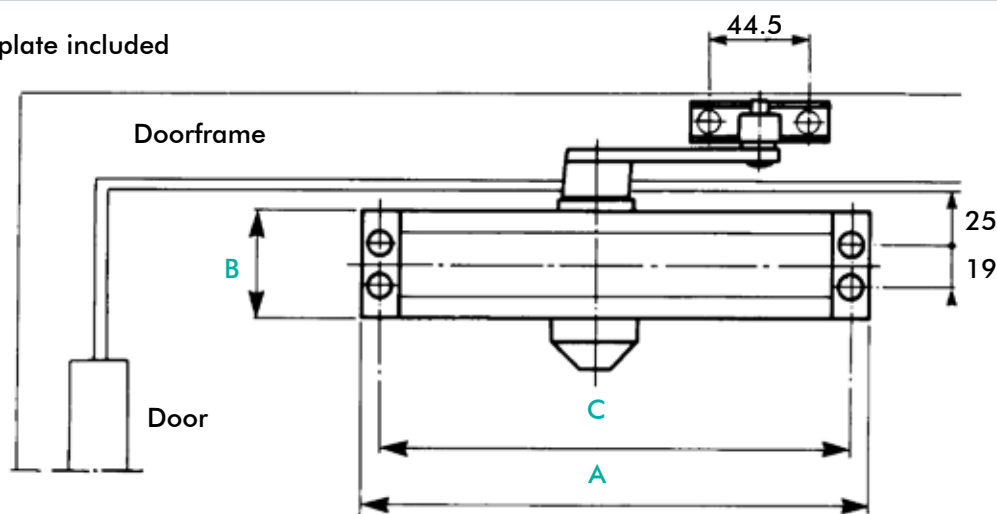
- > Easy, precise adjustments
- > Rugged

**CONDITIONS OF USE**

Model	Strength	Door width	Door weight	Maximum opening torque (0° - 4°)
7001/8001	2	750 to 900 mm	20 to 50 kg	31 Nm
7002/8002	3	900 to 1.100 mm	50 to 70 kg	45 Nm
7003/8003	4	1.100 to 1.300 mm	70 to 90 kg	44 Nm
7004/8004	5	1.300 to 1.500 mm	90 to 120 kg	55 Nm

**INSTALLATION**

Drilling template included



Name	A	B	C
D 7001/8001 retarder-cylinder	178	41	162
D 7002/8002 retarder-cylinder	205	48	188
D 7003/8003 retarder-cylinder	225	48	208
D 7004/8004 retarder-cylinder	247	48	230



**SAINT-GOBAIN SEVA**

43, rue du Pont de Fer  
BP 10176  
71105 Chalon-s-Saône Cedex  
FRANCE

Tél. +33 (0)3 85 47 25 59  
Fax +33 (0)3 85 47 25 38

This document is for information only and is not contractually binding.

[www.sevax.com](http://www.sevax.com)



**OPTIONS**

- Support frame for glass door for models 7001 et 7002

\* See Price-list



## D 8803

Top mounted door closers

### RYOBI

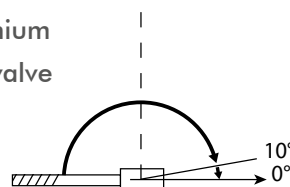


#### SCOPE OF APPLICATION

- > Simple action doors
  - Wood
  - Metal

#### TECHNICAL DATA

- > Rack pinion mechanism tested for 500.000 cycles
- > Strength 3
- > Link-arm
- > Body made of high resistance moulded aluminium
- > Backcheck as standard, adjustable by needle valve
- > Anti-corrosion protection
- > Silver finish
- > EN 1154: 1996 + A1: 2002 + AC: 2006



#### BENEFITS



- > Economical
- > Highly reliable

\* Floor spring no hold open use on fire / smoke evacuation door.

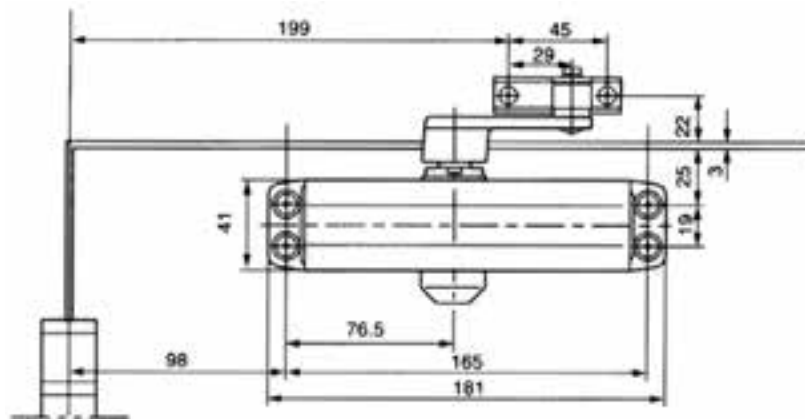


**CONDITIONS OF USE**

<i>Strength</i>	<i>Recommended maximum width</i>	<i>Maximum opening torque (0°-4°)</i>	<i>Maximum weight</i>
3	950 mm	33 Nm	65 kg

**INSTALLATION**

Drilling template included.



\* See Price-list

  
**SAINT-GOBAIN**  
**SEVA**

**SAINT-GOBAIN SEVA**

43, rue du Pont de Fer  
 BP 10176  
 71105 Chalon-s-Saône Cedex  
 FRANCE

Tél. +33 (0)3 85 47 25 59  
 Fax +33 (0)3 85 47 25 38

This document is for information only and is not contractually binding.

[www.sevax.com](http://www.sevax.com)



  
**SAINT-GOBAIN**  
**SEVA**



## Integra24

Concealed door closer



### SCOPE OF APPLICATION

- > Single action doors
  - Wood
  - Metal

### TECHNICAL DATA

- > 500.000 openings tested cam mechanism
- > Variable closing force from 2 to 4
- > Max angle of opening 110°
- > Concealed in to lintel or in to door thickness
- > Sweep speed and back cheek adjustable by different screws
- > Sliding arm with hold open function  
(not to be used on fire proof doors)
- > Silver finish
- > EN1154: 1996 + A1: 2002 + AC: 2006

### BENEFITS

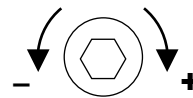


- > Aluminium machined body
- > Anti-Rust protection

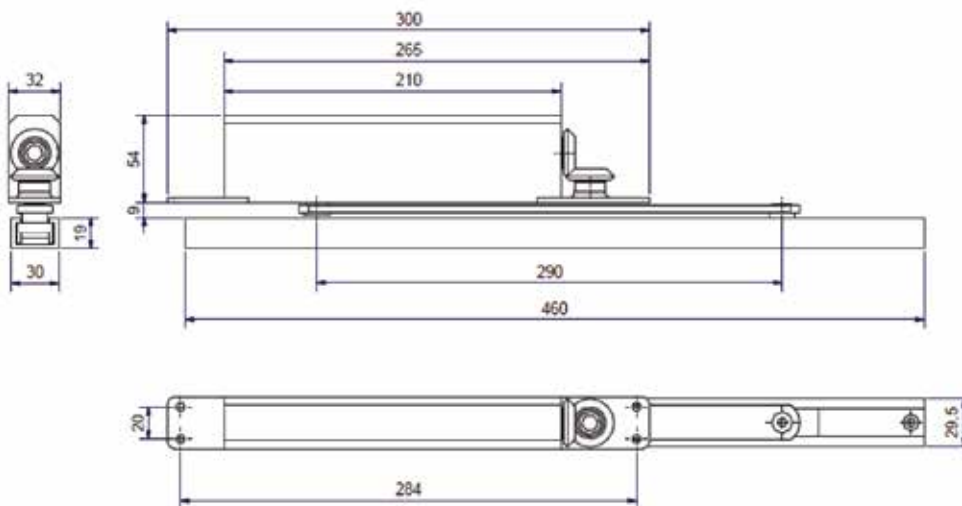
\* Floor spring no hold open use on fire / smoke evacuation door.

### CONDITION OF USE

Door dimensions (mm)	Weight	Strength
850	40	2
950	60	3
1 100	80	4



### INSTALLATION



### ACCESSORIES

Available slim arm dimensions 13 x 20 mm

### REFERENCES

**SN315019**

**SAINT-GOBAIN**  
**SEVA**

**SAINT-GOBAIN SEVA**

43, rue du Pont de Fer  
BP 10176  
71105 Chalon-s-Saône Cedex  
FRANCE

Tél. +33 (0)3 85 47 25 59  
Fax +33 (0)3 85 47 25 38

Les renseignements donnés dans ce document sont donnés à titre indicatif et ne sont pas contractuels

**www.sevax.com**

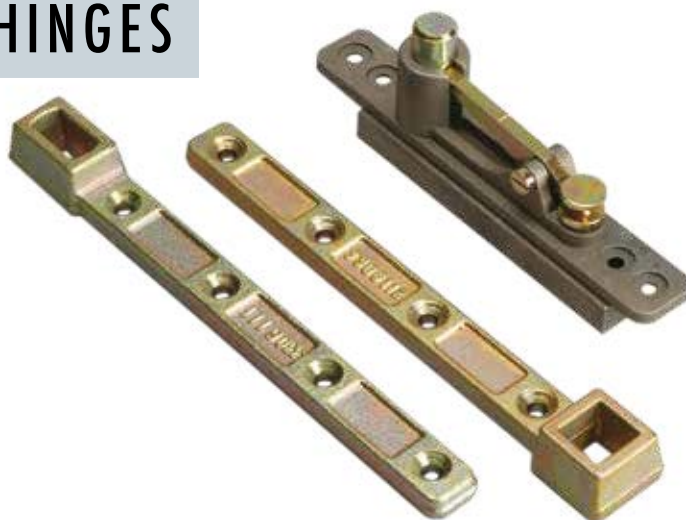


### PRODUCT INSTALLED IN TO DOOR LINTEL





## STRAP HINGES



## HINGE BEARINGS



## & ACCESSORIES



### FIELD OF APPLICATION

- > Single or double action doors
- > Wood or metal doors
- > Full or framed doors

### BENEFITS

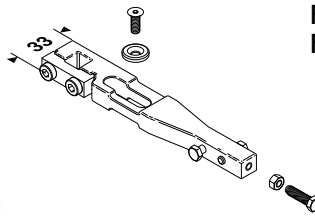
- > Rugged
- > Elegant finish

# STRAP HINGES - HINGE BEARINGS & ACCESSORIES

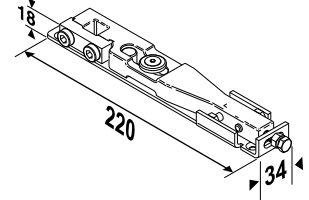
## UPPER STRAP HINGE FOR JANUS LINTEL (SIDE OPENING)

REFERENCES

- Forged boom
- Two adjustments:
  - 0° angle, door closed: +/- 3°
  - door plumbline: 5 mm
- Mounted on welded or screw-fixed plate
- For parallel square tip



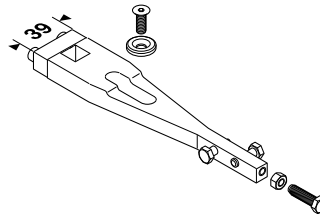
For doors 50 mm **SN306697**  
For doors 40 mm **SN314197**



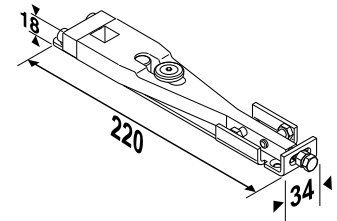
## UPPER STRAP HINGE FOR JANUS LINTEL (REAR OPENING)

REFERENCES

- Forged boom
- Two adjustments:
  - 0° angle, door closed: +/- 3°
  - door plumbline: 7 mm
- Fitting on screw-fixed or welded plate
- For parallel square tip



For doors 50 mm **SN308850**  
For doors 40 mm **SN314518**



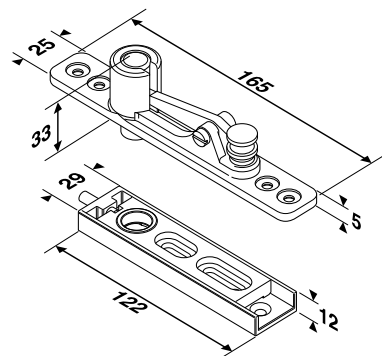
## ADJUSTABLE UPPER HINGE STRAP (DOUBLE ACTION)

REFERENCE

- Zamak body
- Needle bearing
- Two axis exit positions
- 18 mm adjustment for door plumbline
- Small footprint



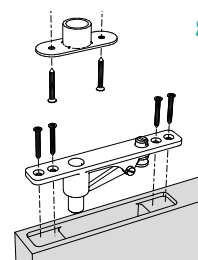
**S3306024**



## T-TWIST

REFERENCE

- Zamak body
- Needle bearing
- Two axis exit positions



**SN314764**

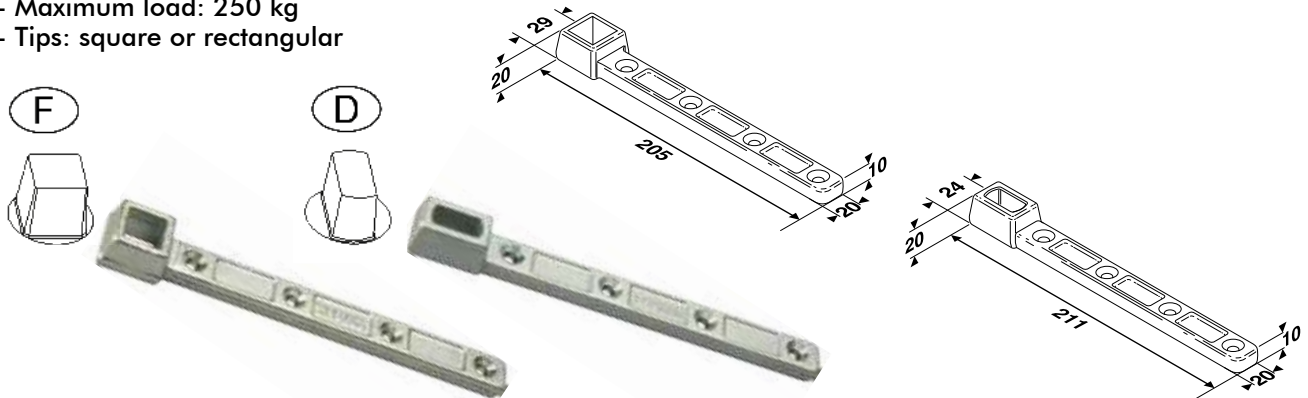
# STRAP HINGES - HINGE BEARINGS & ACCESSORIES

## INTERNAL HINGE STRAP (DOUBLE ACTION)

REFERENCES

- Forged component
- Reversible left or right
- Two mounting planes depending on opening direction
- Maximum load: 250 kg
- Tips: square or rectangular

Square footprint **S3306112**  
 Rectangular footprint **S3306111**

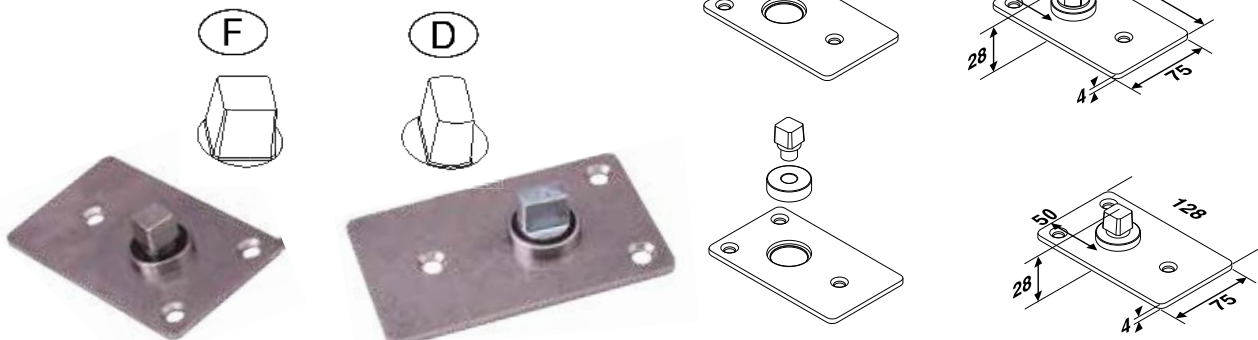


## BALL BEARING HINGE

REFERENCES

- Stainless steel plate
- Closed ball bearing
- Fixed with screws (included)
- Maximum load: 150 kg
- Tips: square or rectangular

Square axis **SN308291**  
 Rectangular axis **SN311161**

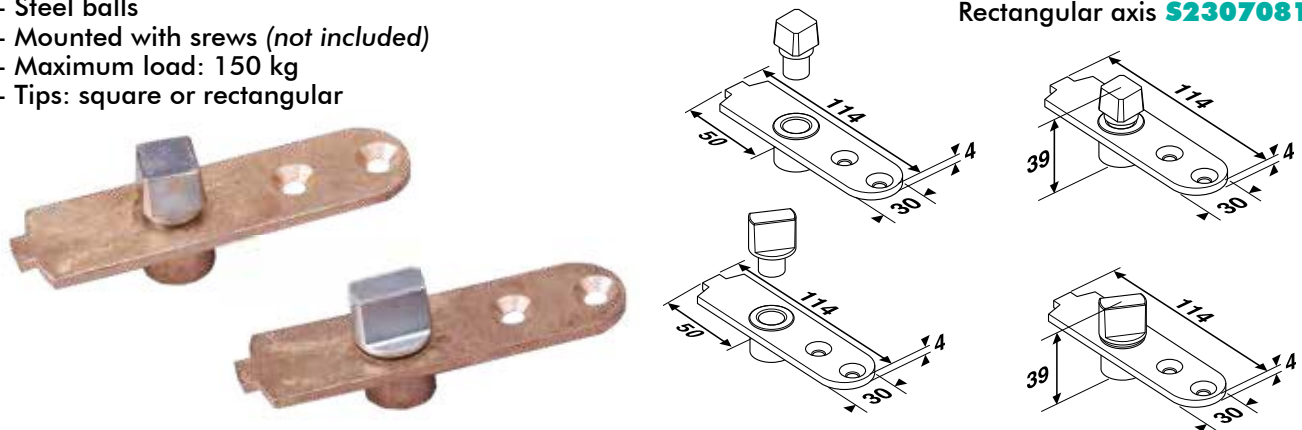


## BALL BEARING HINGE

REFERENCE

- Brass body
- Steel balls
- Mounted with screws (not included)
- Maximum load: 150 kg
- Tips: square or rectangular

Square axis **S2307083**  
 Rectangular axis **S2307081**

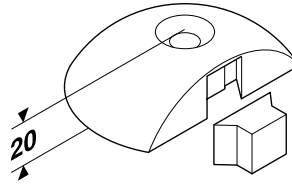




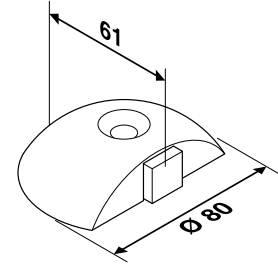
# STRAP HINGES - HINGE BEARINGS & ACCESSORIES

## FLOOR STOP

- Body made of zamak alloy
- Spherical shape
- Positioning pin: 10 mm
- Attractive



Bright chromium **WA759205**  
Mat chromium **WA759206**



\* See Price-list

  
**SAINT-GOBAIN**  
**SEVA**

### SAINT-GOBAIN SEVA

43, rue du Pont de Fer  
BP 10176  
71105 Chalon-s-Saône Cedex  
FRANCE  
Tél. +33 (0)3 85 47 25 59  
Fax +33 (0)3 85 47 25 38

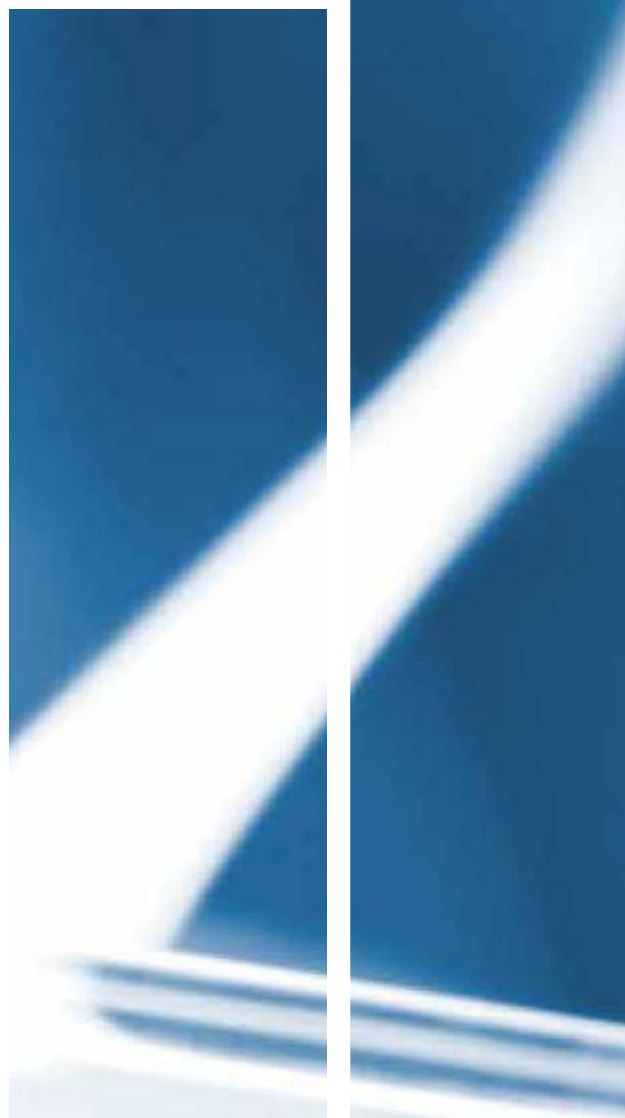
This document is for information only and is not contractually binding.

[www.sevax.com](http://www.sevax.com)



  
**SAINT-GOBAIN**  
**SEVA**

**SOLUTIONS**  
**ACCESSOIRES**  
**& VERRE TREMPÉ**  
Accessories and tempered glass



ACCESSOIRES & VERRE TREMPÉ

**sevax**

SAINT-GOBAIN

HIGHER TECHNOLOGY



## B TWIST GLASS

Hydraulic closing system

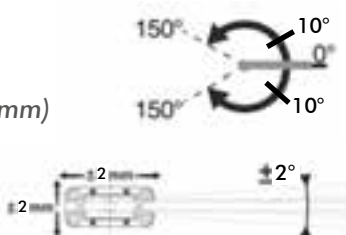


### SCOPE OF APPLICATION

- > Interior doors
- > Tempered glass doors
- > Double-action doors

### TECHNICAL DATA

- > 500.000 opening tested cam mechanism
- > Maximum door open angle 150°
- > 2 closing speed controllers
- > Force 3
- > Adjustable in 2 directions (+/- 2 mm)



### BENEFITS

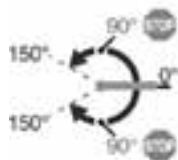
- > Simple and quick installation
- > Non-excavating
- > Visually attractive

### VARIANTS

> No hold open



> Hold open 90°



### FINISH

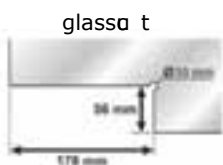
> Polished

> Brushed

### CONDITIONS OF USE

> Suitable doors:

Max. door weight	Door width	Max. door weight	Glass thickness	Temperature of use
100 kg	1.000 mm	2.400 mm	8, 10, 12 mm	10°C à 50°C

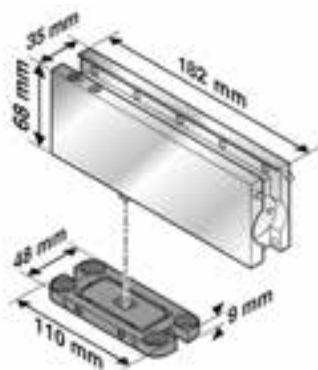


SEV 15

### INSTALLATION

> Size:

	Length	Width	Height
Mechanism	182 mm	35 mm	68 mm
Socket	110 mm	48 mm	9 mm



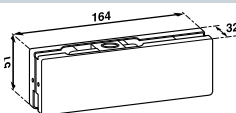
Assembly instructions sheet included.



### ACCESSORIES

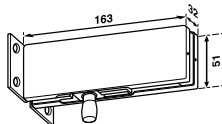
### REFERENCES

#### TOP PATCH



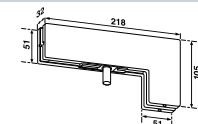
Polished **SN313512**  
Brushed **SN313513**

#### OVERPANEL PATCH (WITH FIXING PLATE)



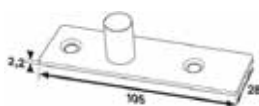
Polished **SN313517**  
Brushed **SN313518**

#### PATCH FOR OVER PANEL AND SIDE PANEL



Polished **SN313522**  
Brushed **SN313523**

#### UPPER ROTARY AXIS



Polished **SN313526**  
Brushed **SN313527**

**SAINT-GOBAIN**  
SEVA

**SAINT-GOBAIN SEVA**

43, rue du Pont de Fer  
BP 10176  
71105 Chalon-s-Saône Cedex  
FRANCE

Tél. +33 (0)3 85 47 25 59  
Fax +33 (0)3 85 47 25 38

This document is for information only and is not contractually binding.

[www.sevax.com](http://www.sevax.com)





## CLASSIQUE SERIES

Metal components with cover



### SCOPE OF APPLICATION

- > Installation on tempered glass: 10 & 12 mm

### TECHNICAL DATA

- > Finish: brush stainless steel

### BENEFITS

- > Attractive
- > Elegant finish

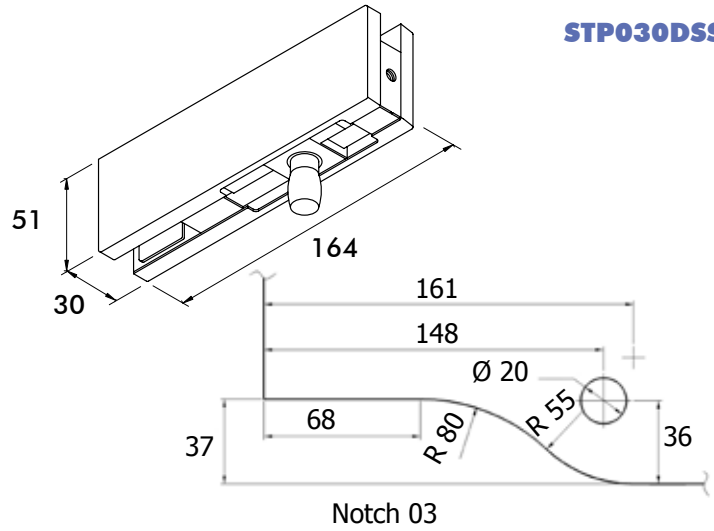
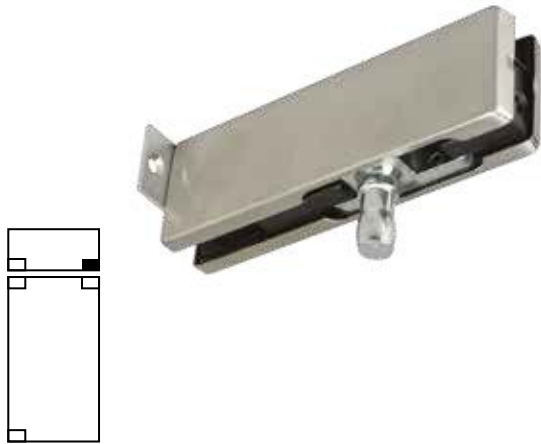
\* See Price-list

**WALL MOUNTING (WITH ROTATING AXIS)**

REFERENCES

- Comes with wall mounting plate

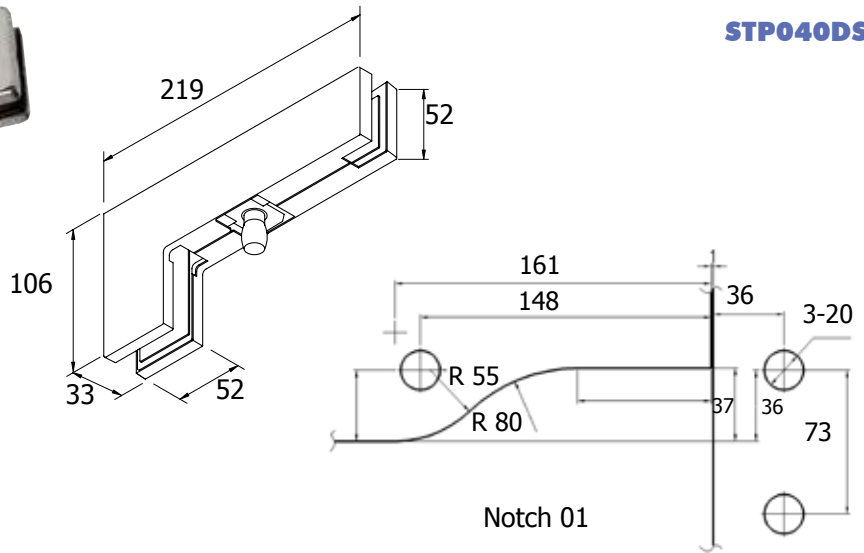
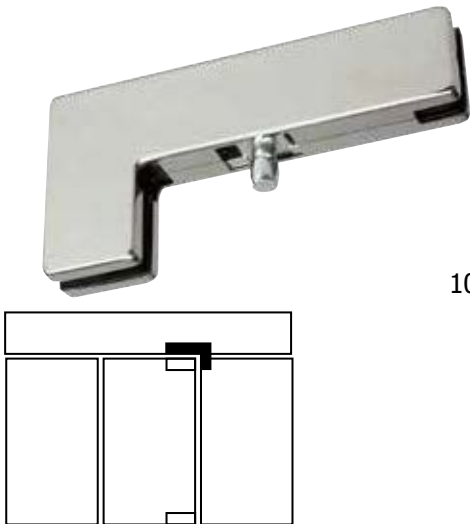
**STP030DSS**



**FIXTURE TO TRANSOM/FRAME**

REFERENCES

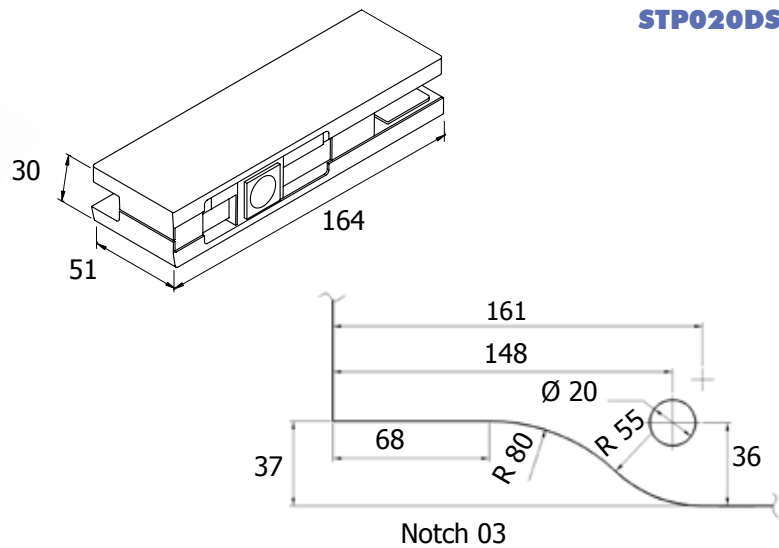
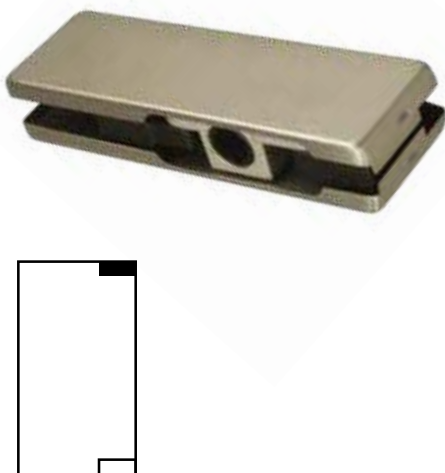
**STP040DSS**



**UPPER HINGE STRAP**

REFERENCES

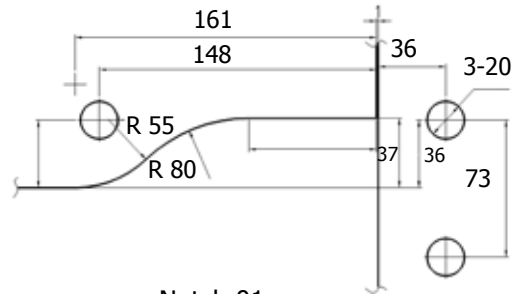
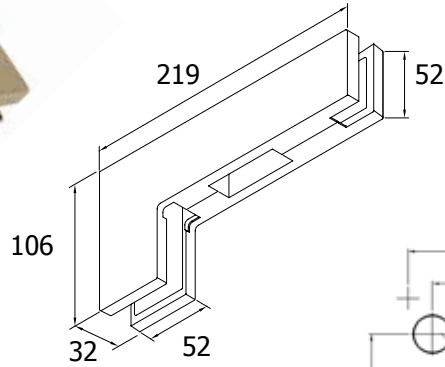
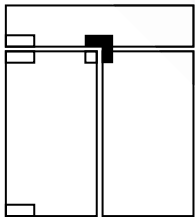
**STP020DSS**



**STRIKE PLATE TO TRANSOM/FRAME**

**REFERENCES**

**SLS040SS**



Notch 01

**LOWER HINGE STRAP**

**REFERENCES**

German rectangular indentation

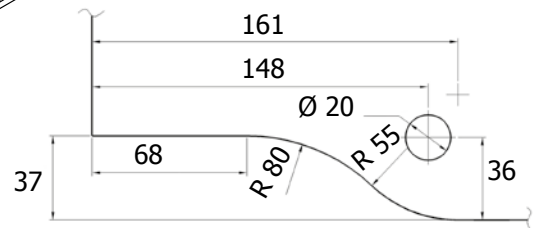
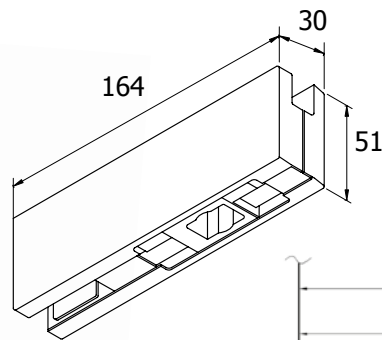
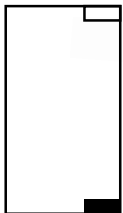
**SBP010DRSS**

French square indentation

**SBP010FRSS**

Italian square indentation

**SBP010MBSS**

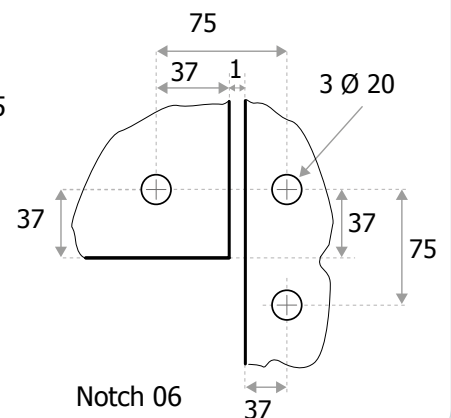
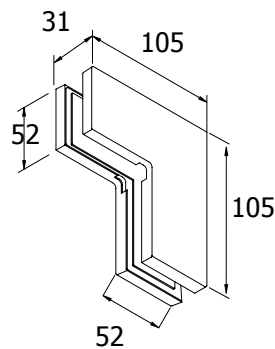
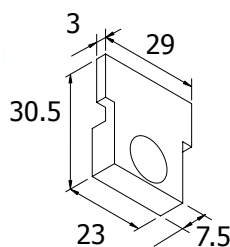
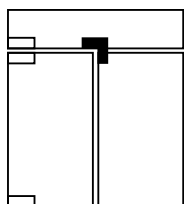


Notch 03

**MOUNTED TRANSOM/DOORFRAME AT 90° (WITH OR WITHOUT STOP)**

**REFERENCES**

**STP060SS**



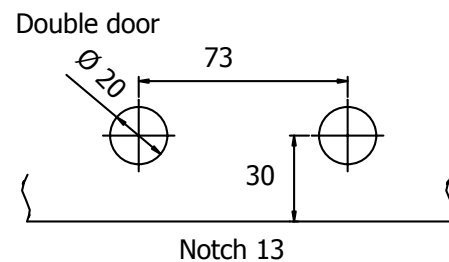
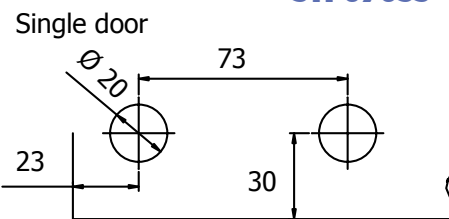
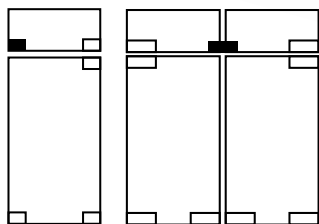
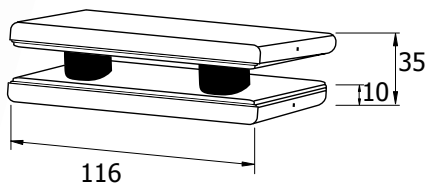
Notch 06



**DOUBLE TRANSOM STOP**

REFERENCES

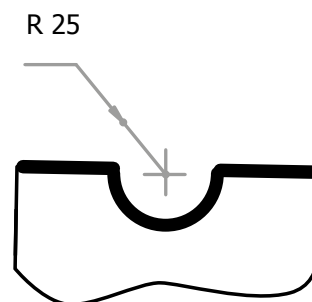
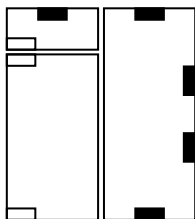
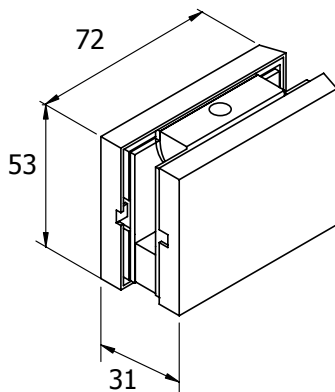
**STP070SS**



**FIXED GLAZING FIXTURE**

REFERENCES

**SSC063SS**

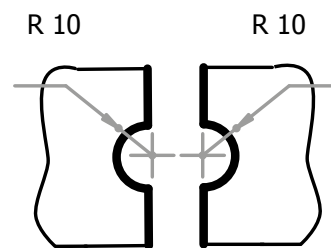
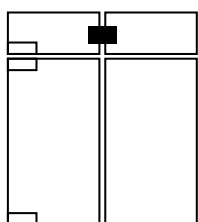
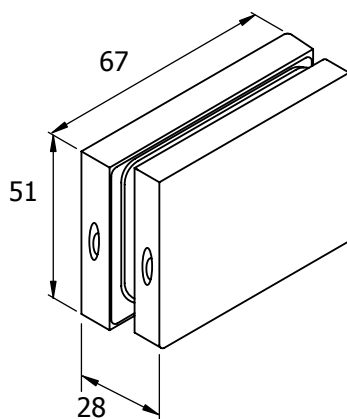


Notch 05

**DOUBLE GLAZING FIXTURE**

REFERENCES

**SGC050TSS**

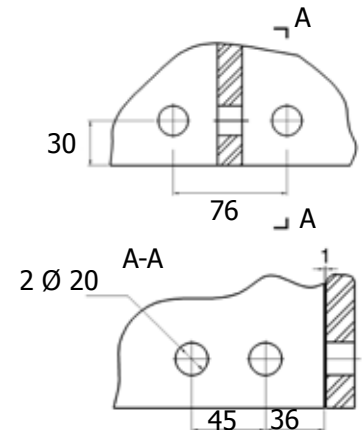
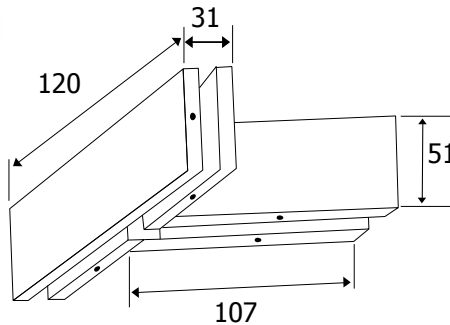


Notch 07

**FIXED GLAZING WIND BRACING FIXTURE**

REFERENCES

**SFP051SS**

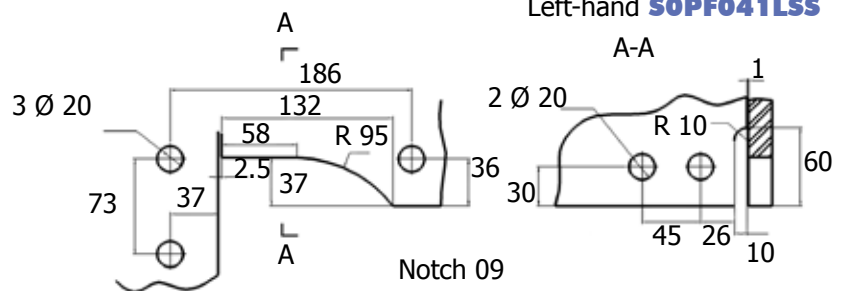
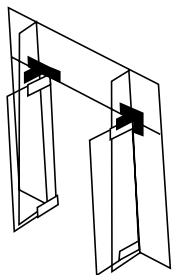


Notch 08

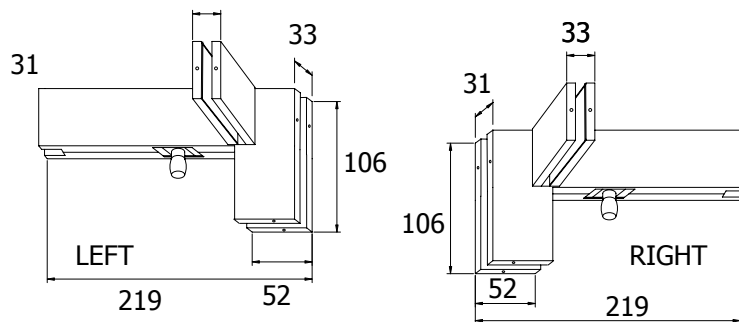
**FIXED GLAZING WIND BRACING FIXTURE**

REFERENCES

Right-hand **SOPF041RSS**  
Left-hand **SOPF041LSS**



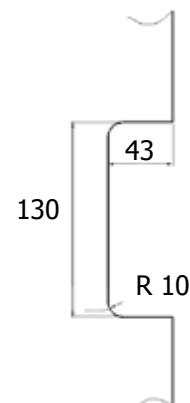
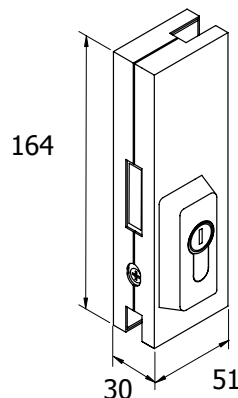
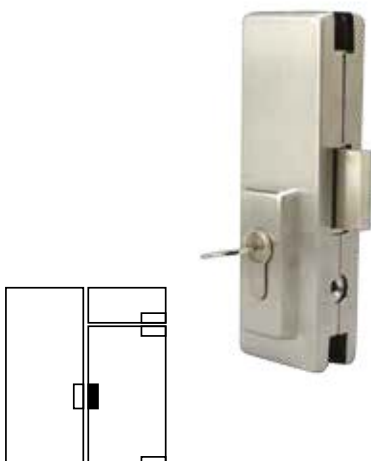
Notch 09



**CENTRAL LOCK (WITHOUT LEVER HANDLE, WITH CYLINDER)**

REFERENCES

**SLK020SS**

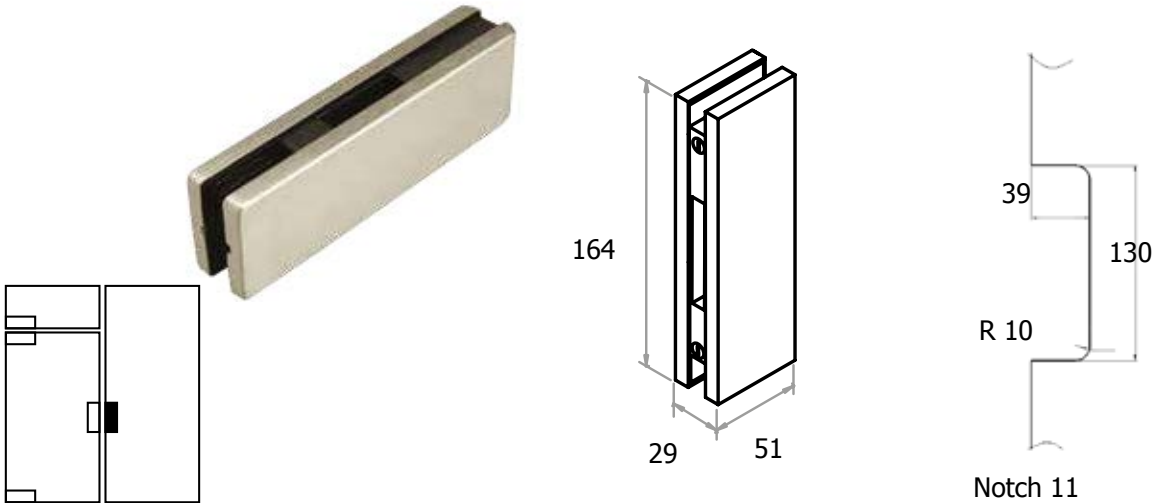


Notch 10

**STRIKE PLATE FOR CENTRAL LOCK**

REFERENCES

**SLS050SS**



**ANGLE LOCK (WITH CYLINDER)**

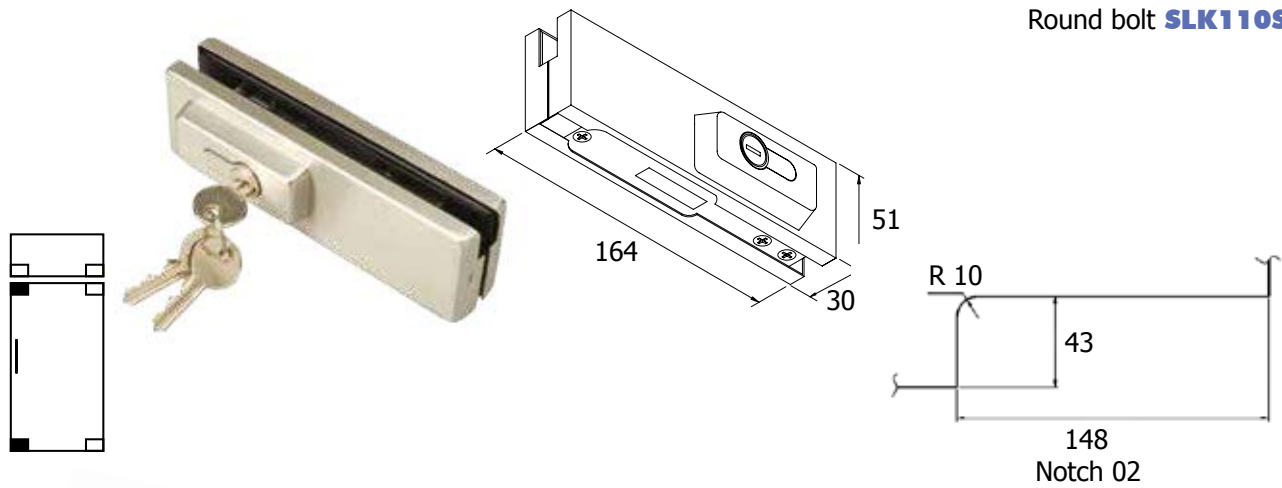
REFERENCES

Rectangular bolt **SLK010SS**

**ANGLE LOCK (WITH CYLINDER & STRIKE PLATE ON FLOOR)**

REFERENCES

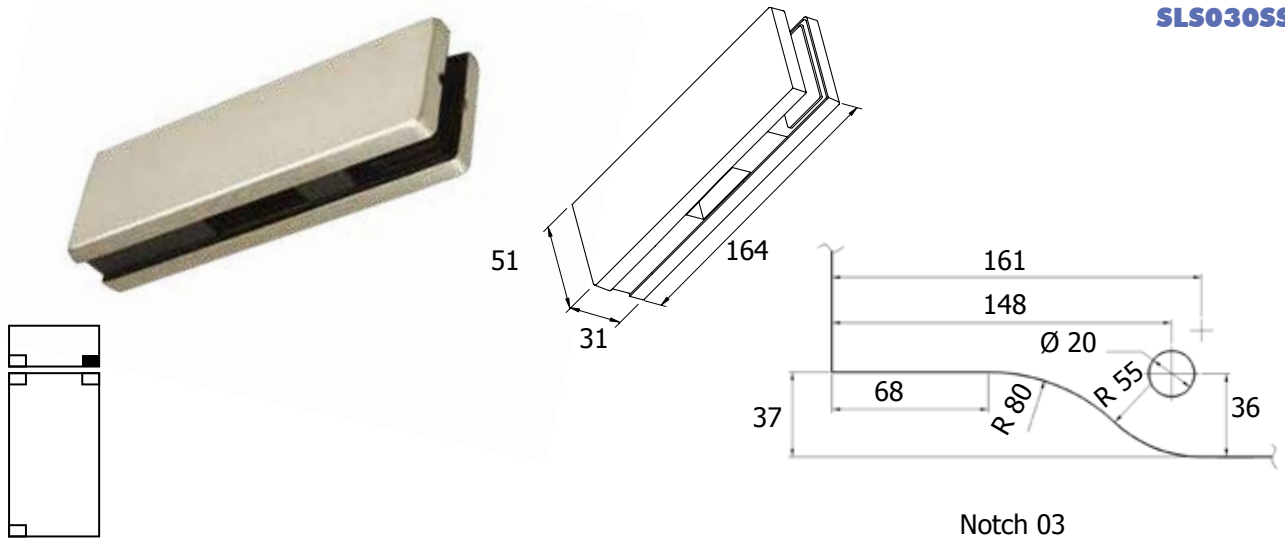
Round bolt **SLK110SS**



**STRIKE PLATE FOR ANGLE LOCK WITH RECTANGULAR BOLT**

REFERENCES

**SLS030SS**

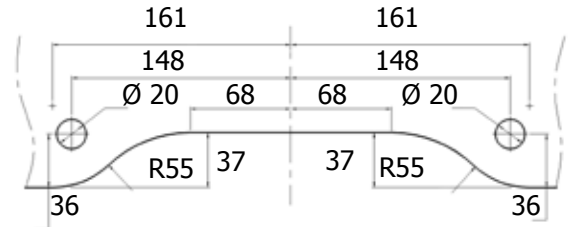
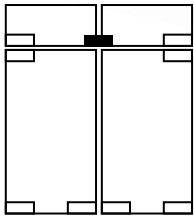
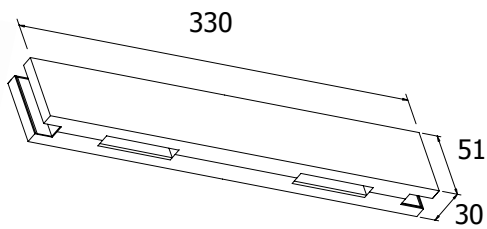


**DOUBLE FRAME STRIKE PLATE FOR ANGLE LOCK WITH RECTANGULAR BOLT**

REFERENCES

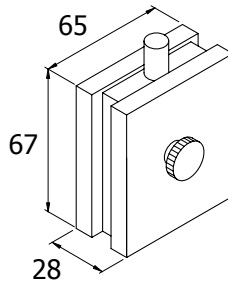
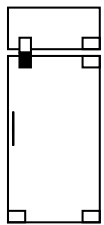


**SLS060SS**

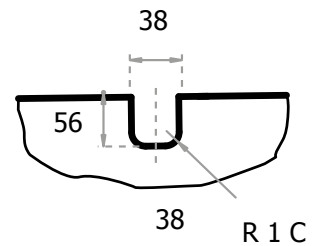


**LOCK WITH BUTTON**

REFERENCES

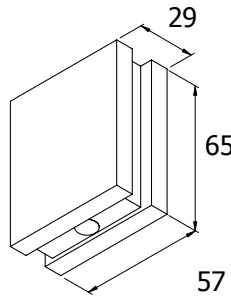
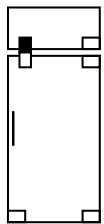


**SLK052SS**

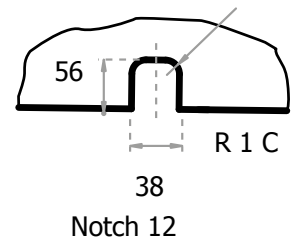


**STRIKE PLATE FOR BUTTON LOCK**

REFERENCES



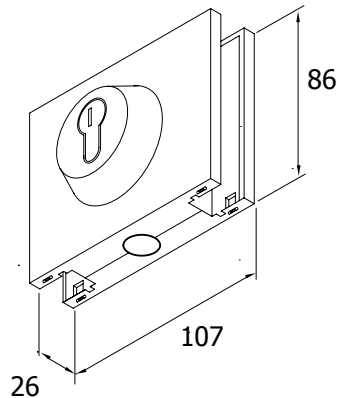
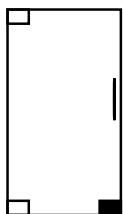
**SLS052SS**



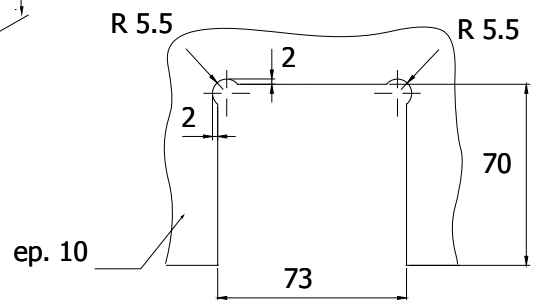
Notch 12

**LOW LOCK WITH STRIKE PLATE ON FLOOR**

REFERENCES



Satin stainless steel **SBK010TSS**  
Brushed stainless steel **SBK010TPS**

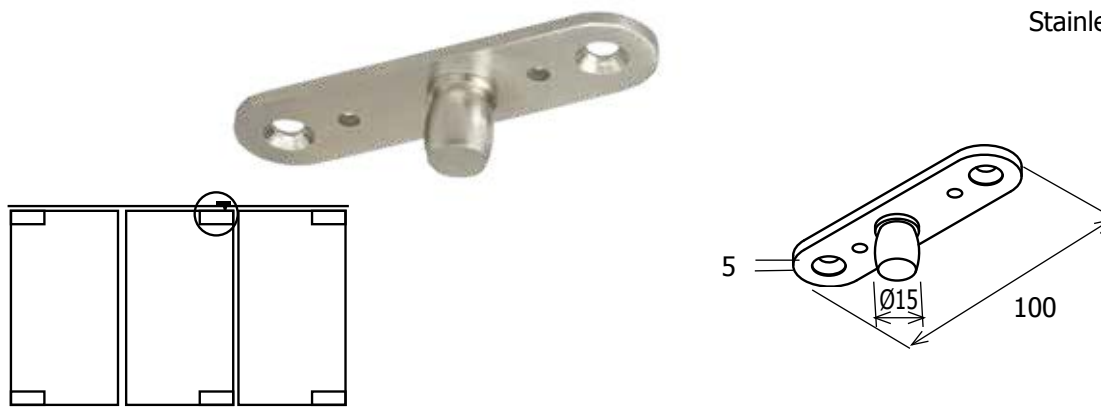


Notch 61

**UPPER ROTATING AXIS**

**REFERENCES**

Stainless steel **SPPPSD**



**STRIKE PLATE ON FLOOR OR DOOR FRAME**

**REFERENCES**

Shiny chrome **S1020**



**DUST PROTECTION STRIKE PLATE**

**REFERENCES**

Nickel brass **SN311564**



**SAINT-GOBAIN**  
**SEVA**

**SAINT-GOBAIN SEVA**  
43, rue du Pont de Fer  
BP 10176  
71105 Chalon-s-Saône Cedex  
FRANCE  
Tél. +33 (0)3 85 47 25 59  
Fax +33 (0)3 85 47 25 38

This document is for information only and is not contractually binding.

[www.sevax.com](http://www.sevax.com)



All sizes in this brochure are given in millimetres.



**« ESSENTIEL » SERIES**

Massive patch fittings



**SCOPE OF APPLICATION**

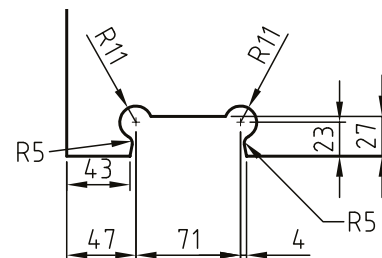
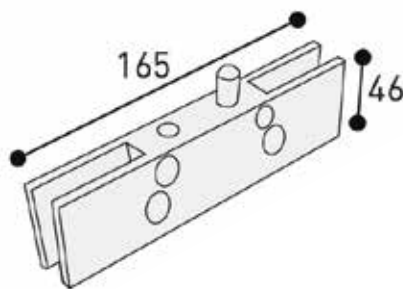
- > Installation on tempered glass 10 mm
- > Inside/outside

**KEY STRENGTHS**

- > Esthetic
- > Brushed and polished
- > Massives series
- > European manufacturing

**UPPER HINGE**

**REFERENCES**

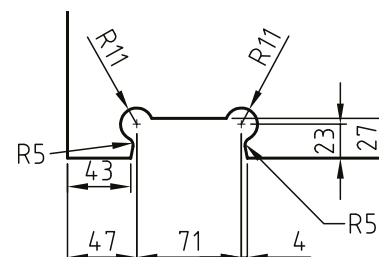
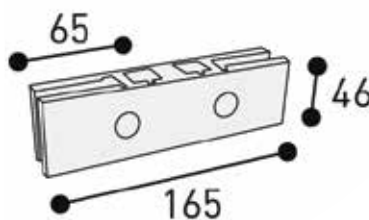
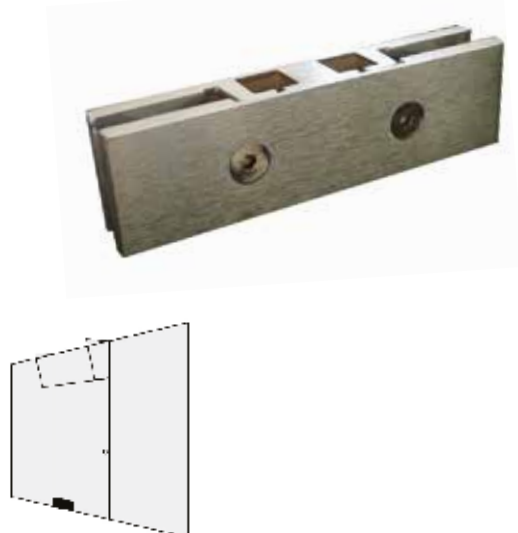


Slot M101

Polished stainless steel  
**SX0101P**  
Brushed stainless steel  
**SX0101B**

**LOWER HINGE SQUARE SPINDLE**

**REFERENCES**

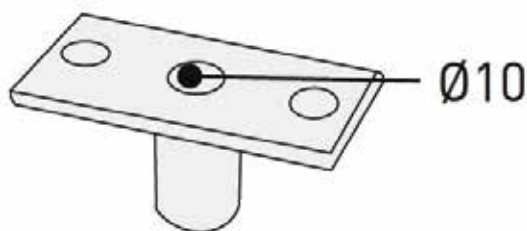


Slot M101

Polished stainless steel  
**SX1132IPFR**  
Brushed stainless steel  
**SX1132IBFR**

**ROLLER BOX**

**REFERENCES**



Polished stainless steel  
**SX0452IP**  
Brushed stainless steel  
**SX0452IB**

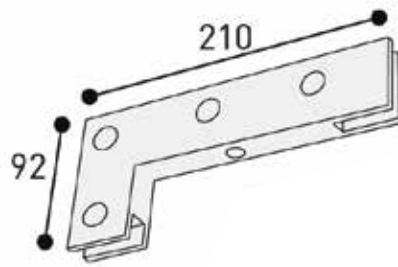


**RIGHT/LEFT CONNECT IMPOST/DOOR FRAME**

REFERENCES

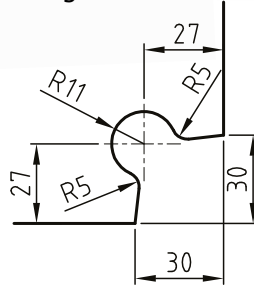
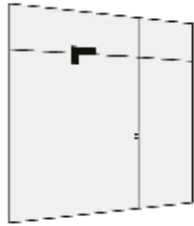


Right

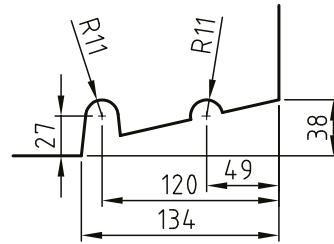


**Right**  
 Polished stainless steel  
**SX0401IPD**  
 Brushed stainless steel  
**SX0401IBD**

**LEFT**  
 Polished stainless steel  
**SX0401IPG**  
 Brushed stainless steel  
**SX0401IBG**



Slot MX



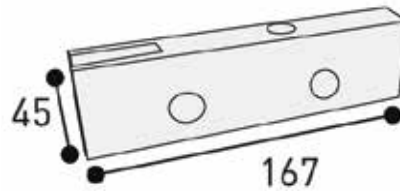
Slot M41

**RIGHT/LEFT CONNECTION TO WALL**

REFERENCES

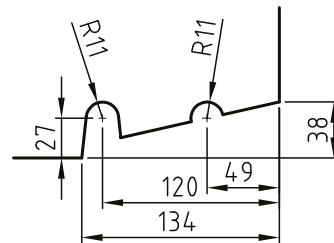


Right



**Right**  
 Polished stainless steel  
**SX0402IPD**  
 Brushed stainless steel  
**SX0402IBD**

**Left**  
 Polished stainless steel  
**SX0402IPG**  
 Brushed stainless steel  
**SX0402IBG**



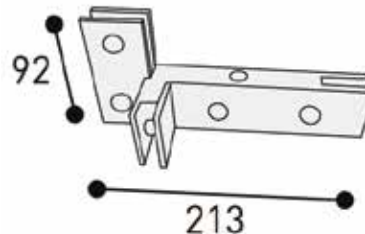
Slot M41

**RIGHT/LEFT OVER AND SIDE PANEL CONNECTOR FOR LEFT ROTATION**

REFERENCES

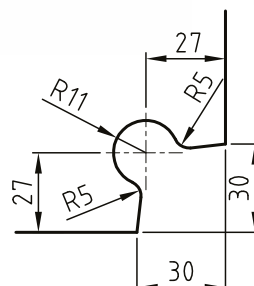
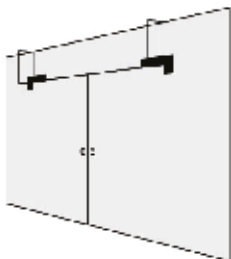


Left

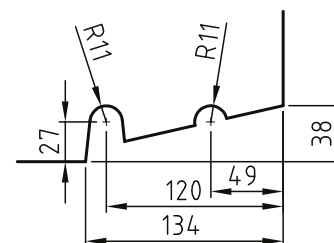


**Left**  
 Polished stainless steel  
**SX0443IPG**  
 Brushed stainless steel  
**SX0443IBG**

**Right**  
 Polished stainless steel  
**SX0443IPD**  
 Brushed stainless steel  
**SX0443IBD**



Slot MX



Slot M41

**CONCELED SOCKET SQUARE SPINDLE**

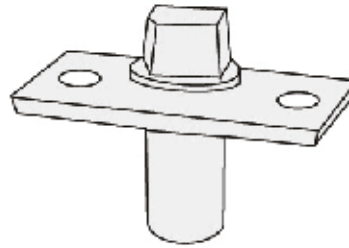
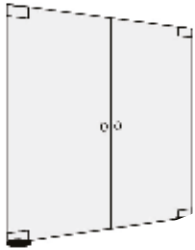
**REFERENCES**

Polished stainless steel

**SX0463IPFR**

Brushed stainless steel

**SX0463IBFR**



**FIXATION FOR 2 GLASSES**

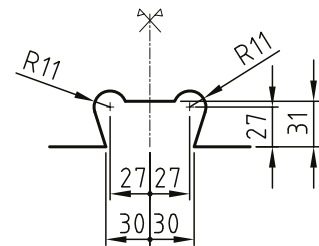
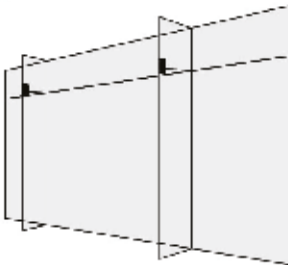
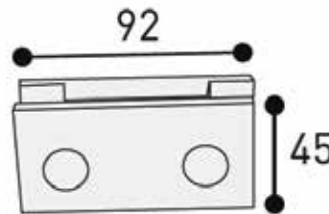
**REFERENCES**

Polished stainless steel

**SX0505IP**

Brushed stainless steel

**SX0505IB**



Slot M2X

**FIXATION FOR 4 GLASSES**

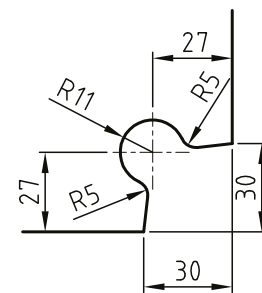
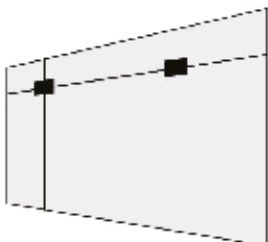
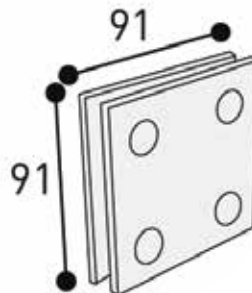
**REFERENCES**

Polished stainless steel

**SX0514IP**

Brushed stainless steel

**SX0514IB**



Slot MX

**90° IMPOST DOOR/FRAME WITH STOPPER**

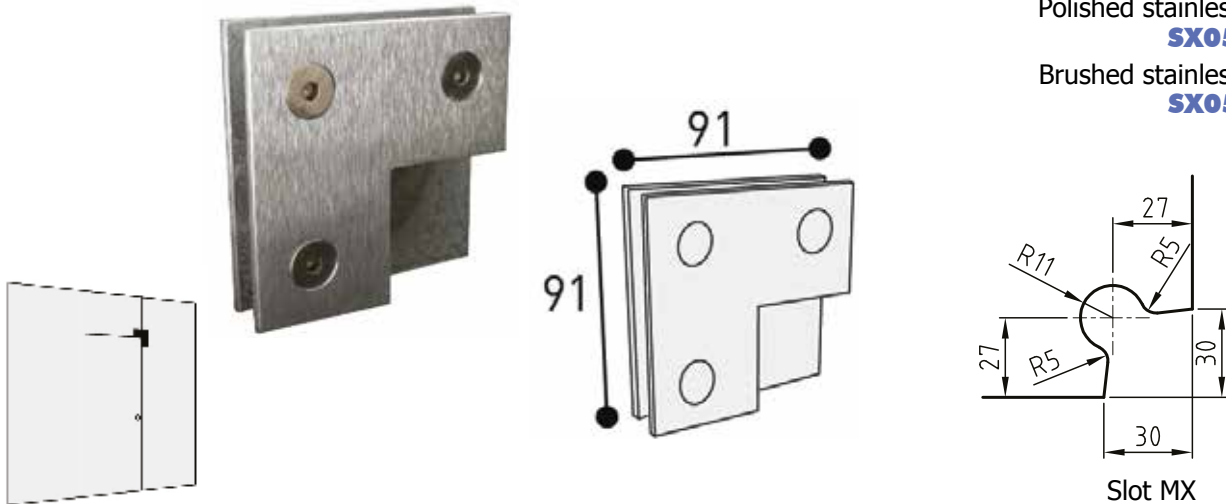
REFERENCES

Polished stainless steel

**SX0519IP**

Brushed stainless steel

**SX0519IB**



**RIGHT/LEFT 90° IMPOST DOOR/FRAME WITH STOPPER AND LOCK**

REFERENCES

**Right**

Polished stainless steel

**SX0520IPD**

Brushed stainless steel

**SX0520IBD**

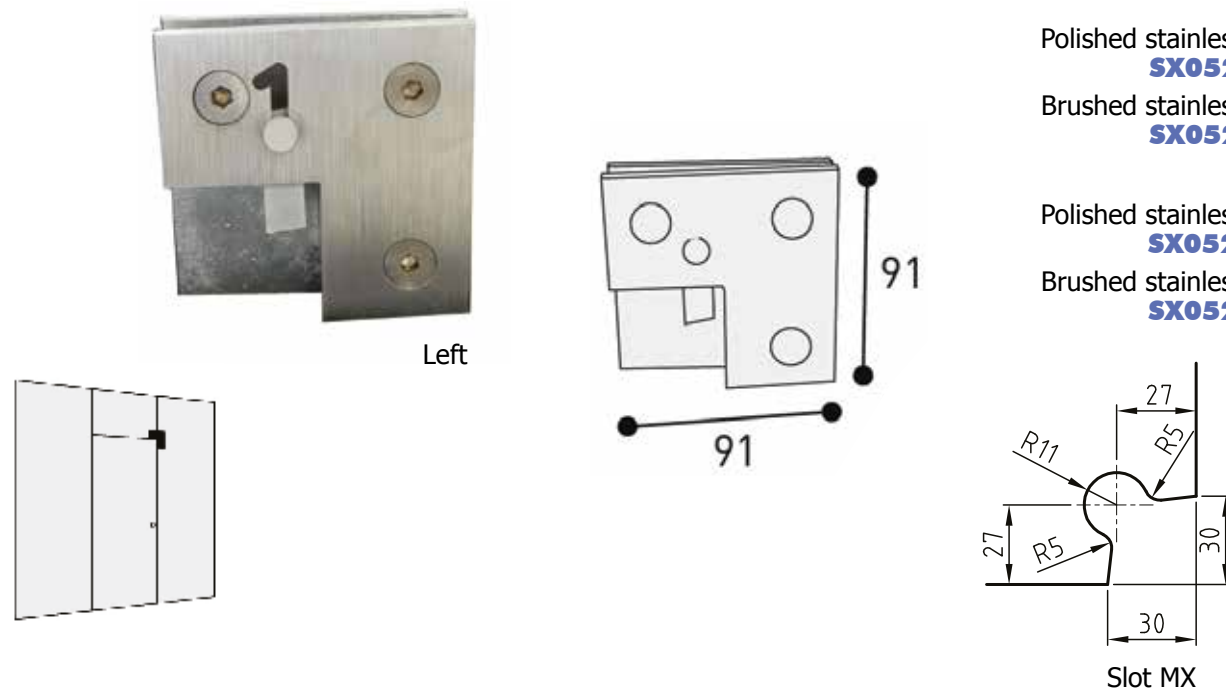
**Left**

Polished stainless steel

**SX0520IPG**

Brushed stainless steel

**SX0520IBG**



**90° IMPOST DOOR/FRAME**

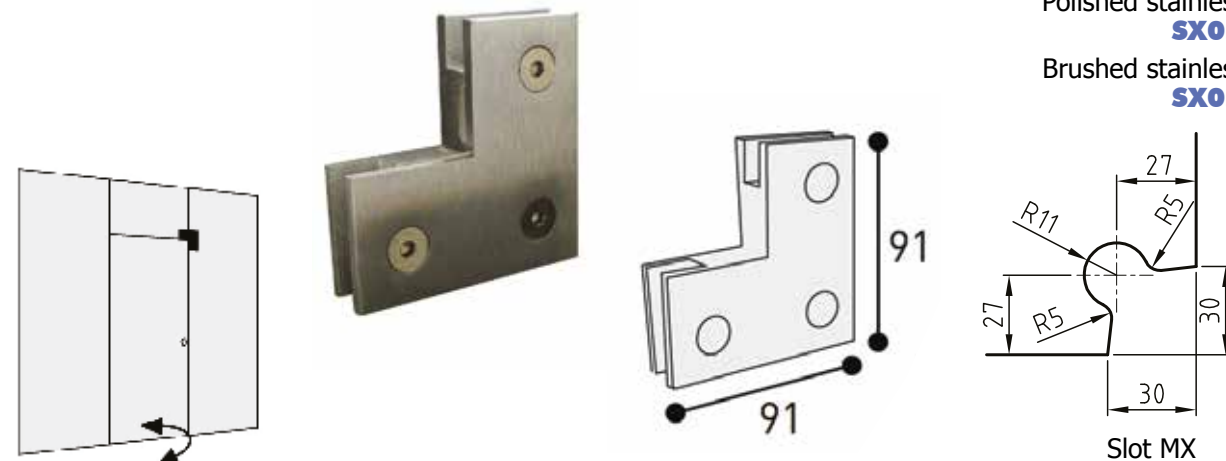
REFERENCES

Polished stainless steel

**SX0521IP**

Brushed stainless steel

**SX0521IB**

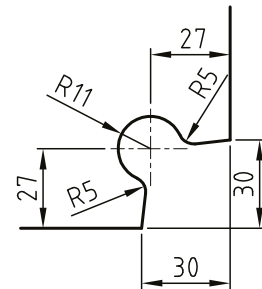
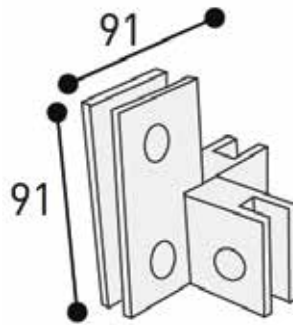
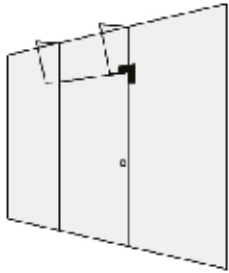


**RIGHT/LEFT CONNEXION PART MOBILE LEAF WITH STOPPER**

**REFERENCES**



Left



Slot MX

**Right**

Polished stainless steel  
**SX0522IPD**

Brushed stainless steel  
**SX0522IBD**

**Left**

Polished stainless steel  
**SX0522IPG**

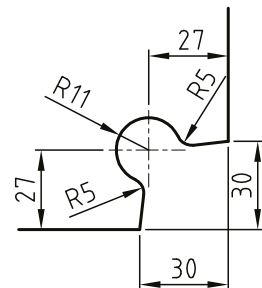
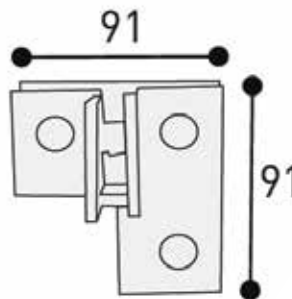
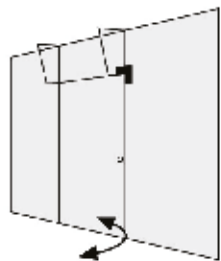
Brushed stainless steel  
**SX0522IBG**

**RIGHT/LEFT CONNEXION PART MOBILE LEAF**

**REFERENCES**



Left



Slot MX

**Right**

Polished stainless steel  
**SX0524IPD**

Brushed stainless steel  
**SX0524IBD**

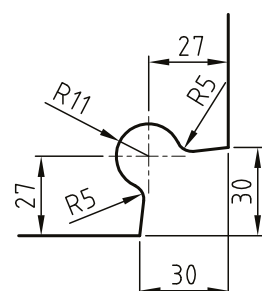
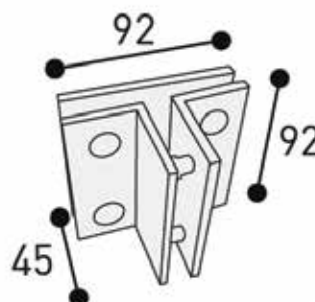
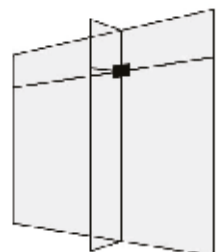
**Left**

Polished stainless steel  
**SX0524IPG**

Brushed stainless steel  
**SX0524IBG**

**'T' CONNEXION FOR SEVERAL GLASSES**

**REFERENCES**



Slot MX

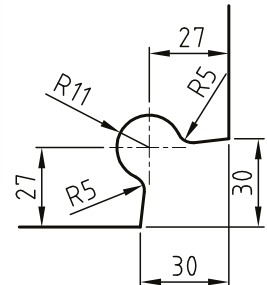
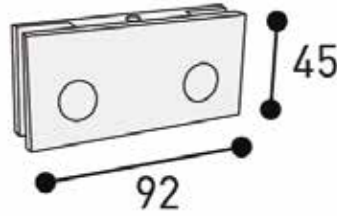
Polished stainless steel  
**SX0552IP**

Brushed stainless steel  
**SX0552IB**

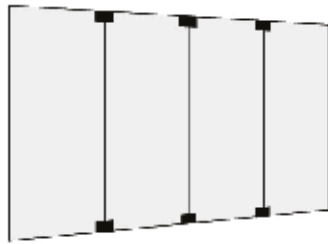
**FITTING TO WALL FOR 2 FIXED GLASS**

**REFERENCES**

Polished stainless steel  
**SX5001IP**  
Brushed stainless steel  
**SX5001IB**



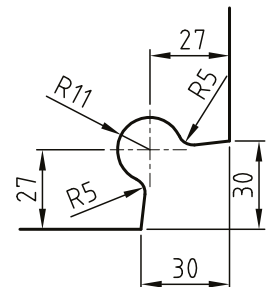
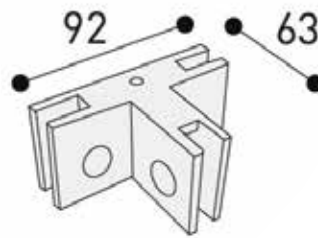
Slot MX



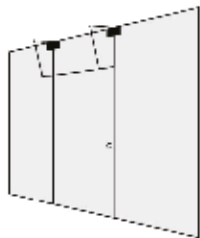
**'T' CONNEXION TO FIX ON THE WALL**

**REFERENCES**

Polished stainless steel  
**SX0580IP**  
Brushed stainless steel  
**SX0580IB**



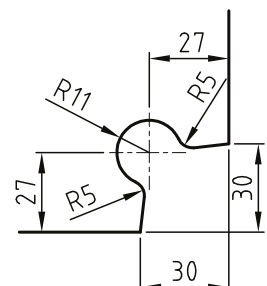
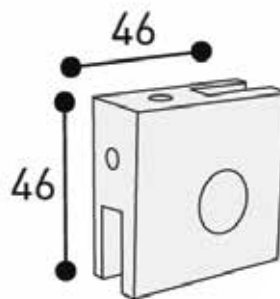
Slot MX



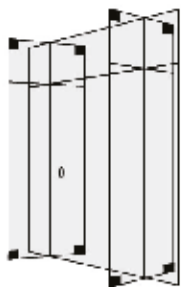
**ANGLE FITTING FOR FIXED GLASS**

**REFERENCES**

Polished stainless steel  
**SX0586IP**  
Brushed stainless steel  
**SX0586IB**



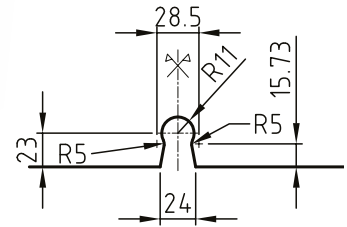
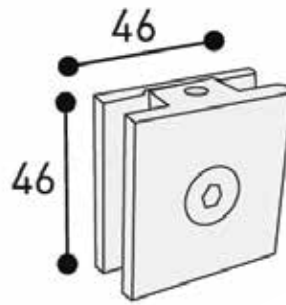
Slot MX



**FITTING TO WALL FOR 1 FIXED GLASS**

**REFERENCES**

- Polished stainless steel **SX0592IP**
- Brushed stainless steel **SX0592IB**



Slot M302

**LEFT/RIGHT UPPER HINGE SINGLE ACTION**

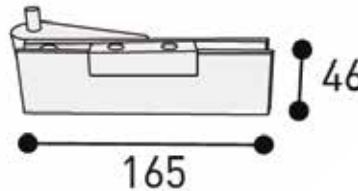
**REFERENCES**

**Left**

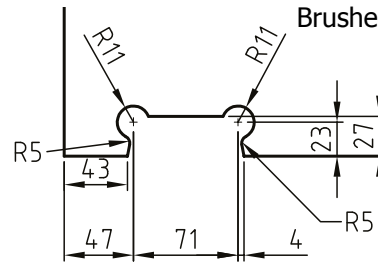
- Polished stainless steel **SX2101PG**
- Brushed stainless steel **SX2101BG**

**Right**

- Polished stainless steel **SX2101PD**
- Brushed stainless steel **SX2101BD**



Left



Slot M101



**LEFT/RIGHT LOWER HINGE SQUARE SINGLE ACTION**

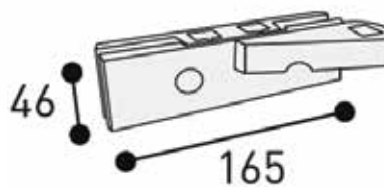
**REFERENCES**

**Left**

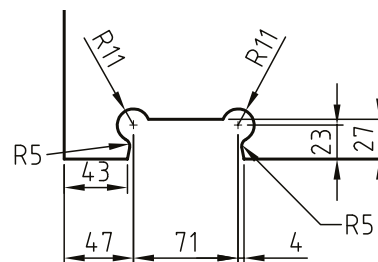
- Polished stainless steel **SX2132FIG**
- Brushed stainless steel **SX2132BIG**

**Right**

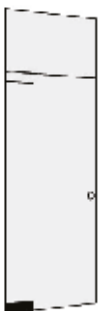
- Polished stainless steel **SX2132FIPD**
- Brushed stainless steel **SX2132FIBD**



Right



Slot M101



Right

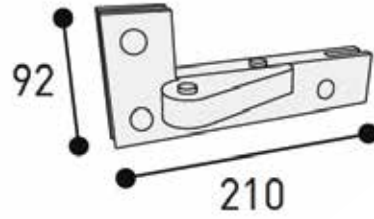


**LEFT/RIGHT IMPOST CONNECT PART SINGLE ACTION**

**REFERENCES**



Left



**Left**

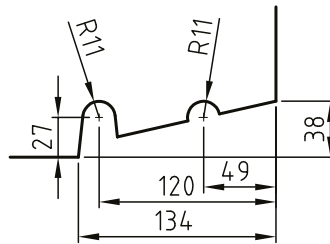
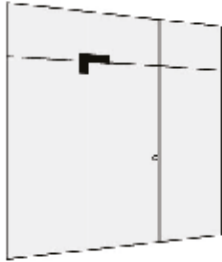
Polished stainless steel  
**SX2401IPG**

Brushed stainless steel  
**SX2401IBG**

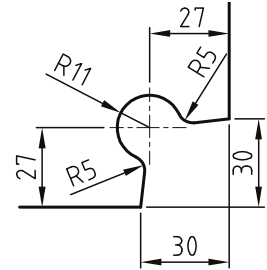
**Right**

Polished stainless steel  
**SX2401IPD**

Brushed stainless steel  
**SX2401IBD**



Slot M41



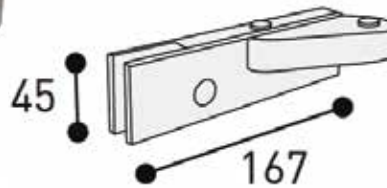
Slot MX

**LEFT/RIGHT WALL/IMPOST CONNECT PART SINGLE ACTION**

**REFERENCES**



Right



**Left**

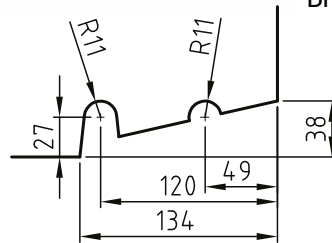
Polished stainless steel  
**SX2402IPG**

Brushed stainless steel  
**SX2402IBG**

**Right**

Polished stainless steel  
**SX2402IPD**

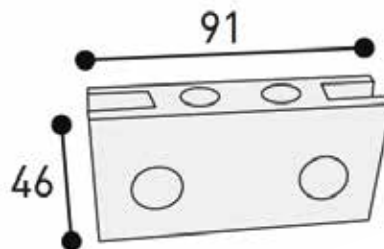
Brushed stainless steel  
**SX2402IBD**



Slot M41

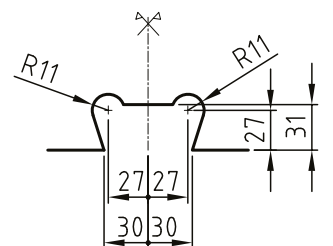
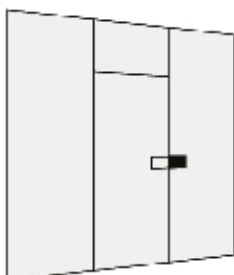
**MIDDLE STAPLE FOR GLASS**

**REFERENCES**



Polished stainless steel  
**SX0605IP**

Brushed stainless steel  
**SX0605IB**



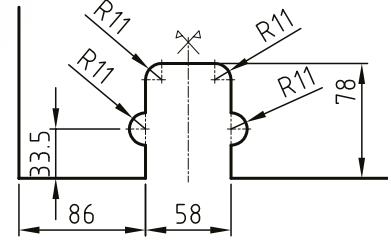
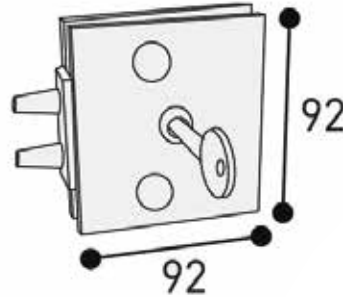
Slot M2X



**MIDDLE OR ANGLE LOCK**

**REFERENCES**

Polished stainless steel  
**SX0612IP**  
Brushed stainless steel  
**SX0612IB**

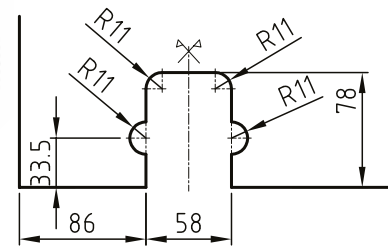
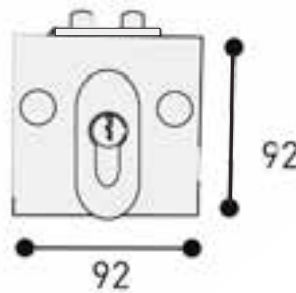
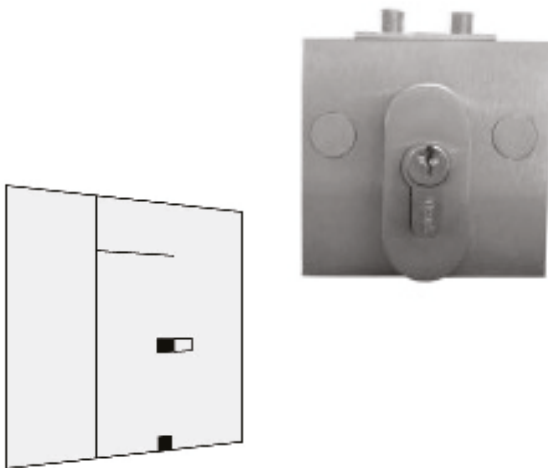


Slot M612

**MIDDLE OR ANGLE LOCK WITH CYLINDER**

**REFERENCES**

Polished stainless steel  
**SX0613IP**  
Brushed stainless steel  
**SX0613IB**

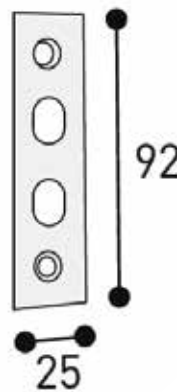
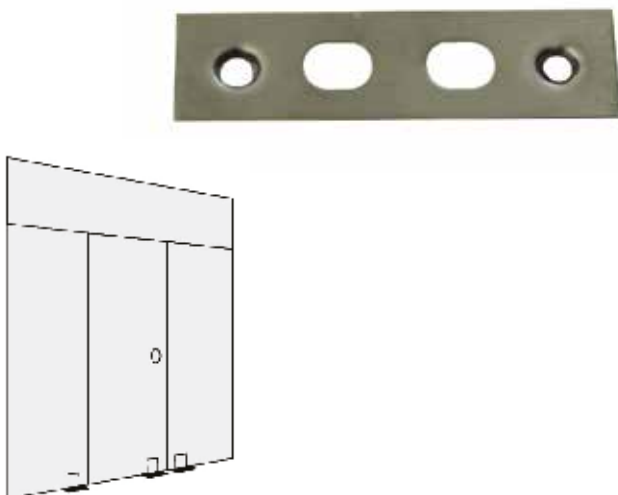


Slot M612

**STAPLE FOR ANGLE LOCK**

**REFERENCES**

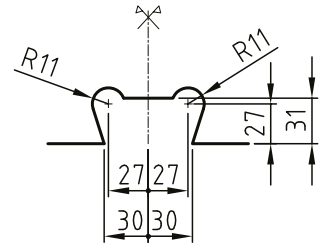
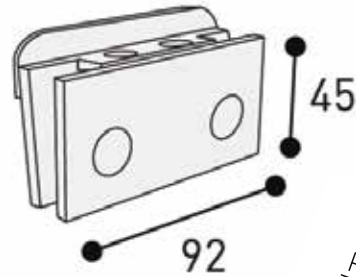
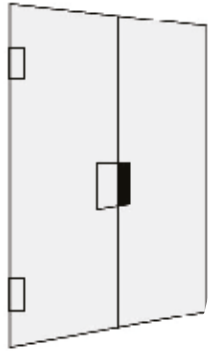
Polished stainless steel  
**SX1612IP**  
Brushed stainless steel  
**SX1612IB**



**MIDDLE STAPLE FOR GLASS WITH STOPPER**

**REFERENCES**

Polished stainless steel  
**SX1505IP**  
Brushed stainless steel  
**SX1505IB**

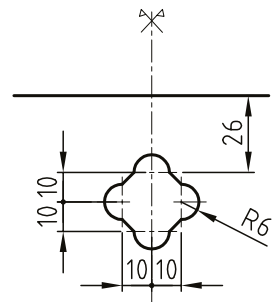
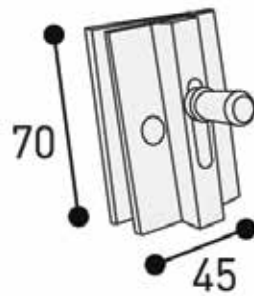
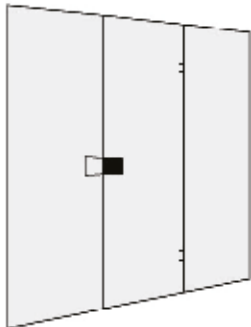


Slot M2X

**MIDDLE LOCK WITH TURN KNOB**

**REFERENCES**

Polished stainless steel  
**SX0680IP**  
Brushed stainless steel  
**SX0680IB**

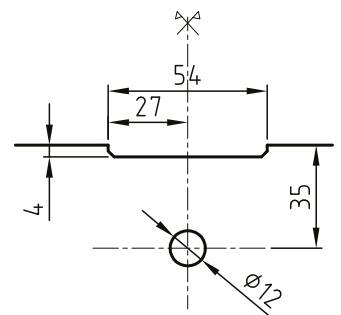
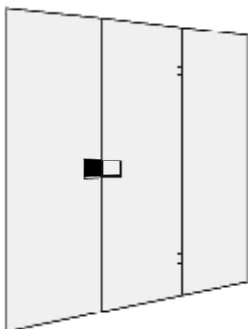


Slot M680

**STAPLE FOR LOCK WITH TURN KNOB**

**REFERENCES**

Polished stainless steel  
**SX0681IP**  
Brushed stainless steel  
**SX0681IB**

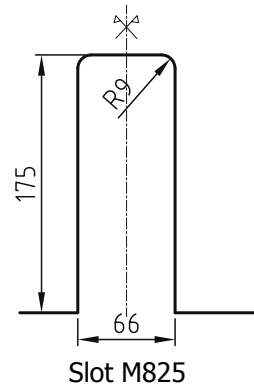
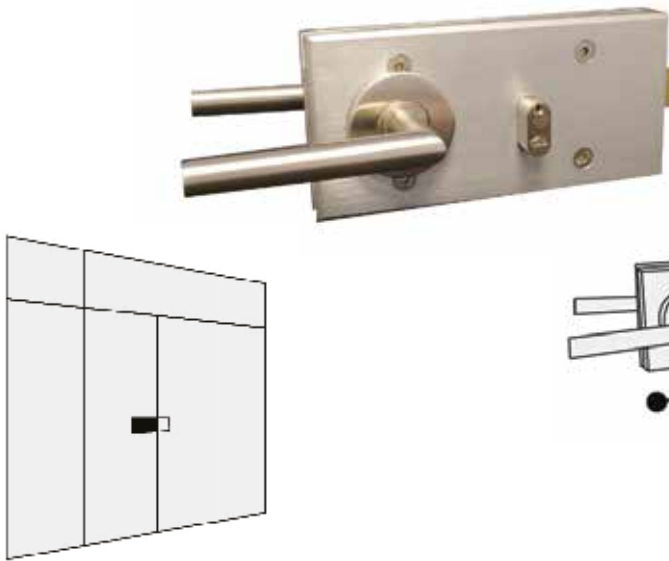


Slot M681

**MIDDLE LOCK WITH HANDLE AND CYLINDER**

**REFERENCES**

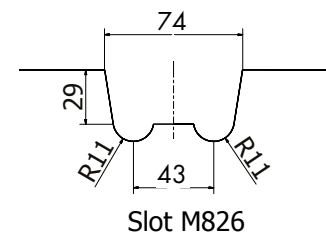
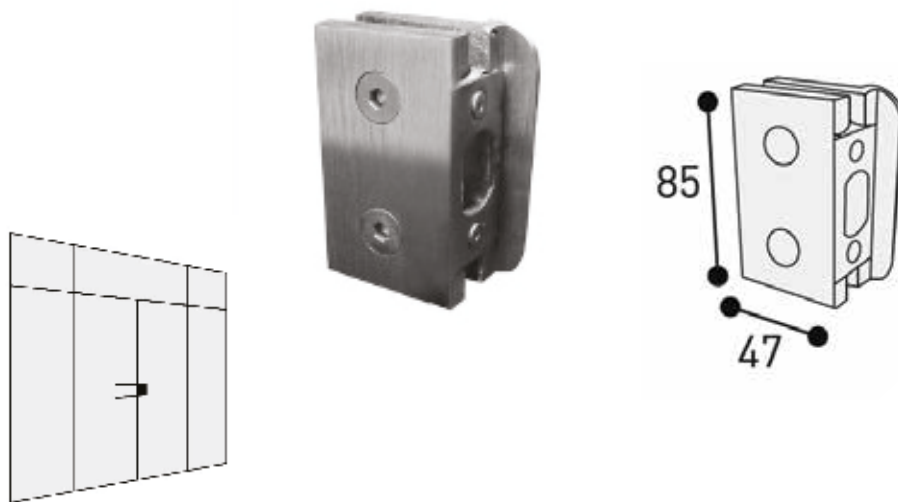
Polished stainless steel  
**SX0825IP**  
Brushed stainless steel  
**SX0825IB**



**MIDDLE STAPLE FOR GLASS**

**REFERENCES**

Polished stainless steel  
**SX0826IP**  
Brushed stainless steel  
**SX0826IB**



**MIDDLE STAPLE FOR WALL**

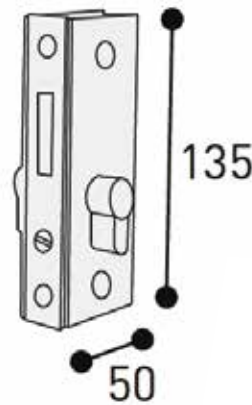
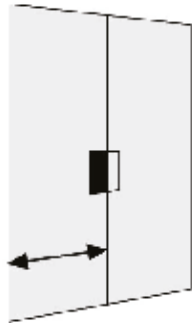
**REFERENCES**

Polished stainless steel  
**SX0827IP**  
Brushed stainless steel  
**SX0827IB**

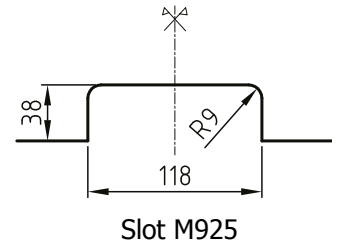


**MIDDLE LOCK WITH CYLINDER FOR SLIDING DOOR**

**REFERENCES**

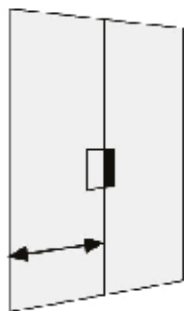


- Polished stainless steel  
**SX0925IP**
- Brushed stainless steel  
**SX0925IB**

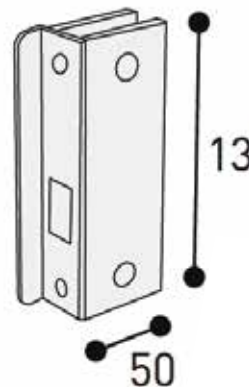


**LEFT/RIGHT MIDDLE STAPLE FOR SLIDING DOOR**

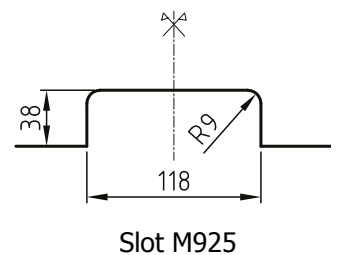
**REFERENCES**



Left



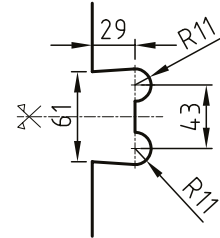
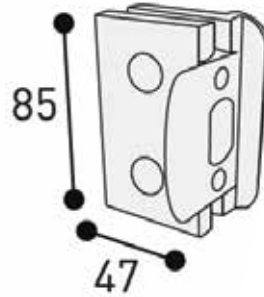
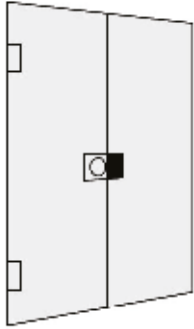
- Left**
- Polished stainless steel  
**SX0926IPG**
- Brushed stainless steel  
**SX0926IBG**
- Right**
- Polished stainless steel  
**SX0926IPD**
- Brushed stainless steel  
**SX0926IBD**



**MIDDLE STAPLE FOR GLASS**

**REFERENCES**

Polished stainless steel  
**SX2600IP**  
Brushed stainless steel  
**SX2600IB**

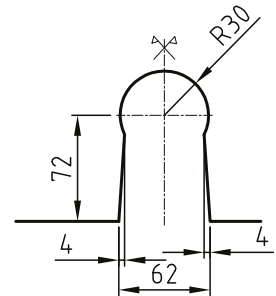
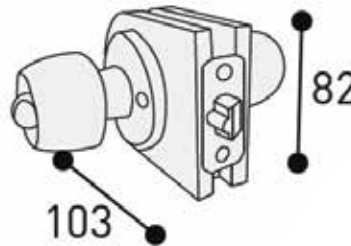
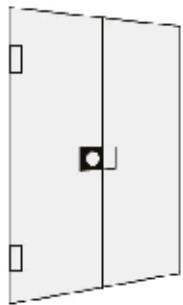


Slot M2600

**MIDDLE LOCK WITH HANDLE AND BOLT**

**REFERENCES**

Polished stainless steel  
**SX2601IP**  
Brushed stainless steel  
**SX2601IB**

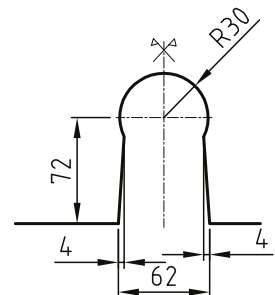
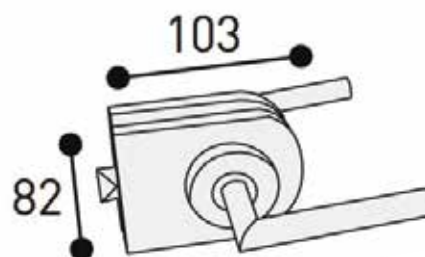
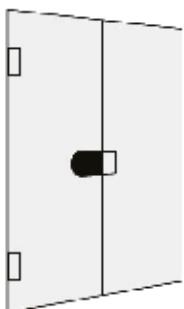


Slot M2601

**MIDDLE LOCK WITH HANDLE**

**REFERENCES**

Polished stainless steel  
**SX2602IP**  
Brushed stainless steel  
**SX2602IB**



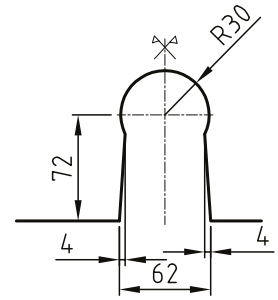
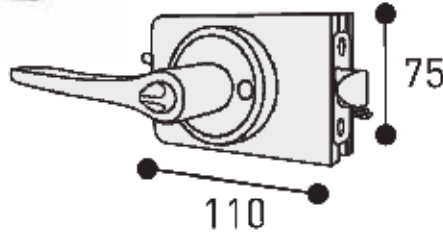
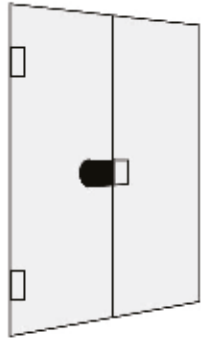
Slot M2601

**MIDDLE LOCK WITH HANDLE AND CYLINDER**

**REFERENCES**

Polished stainless steel  
**SX2603IP**

Brushed stainless steel  
**SX2603IB**



Slot M2601

  
**SAINT-GOBAIN**  
**SEVA**

**SAINT-GOBAIN SEVA**

43, rue du Pont de Fer  
BP 10176  
71105 Chalon-s-Saône Cedex  
FRANCE

Tél. +33 (0)3 85 47 25 59  
Fax +33 (0)3 85 47 25 38

This document is for information only and is not contractually binding.

**[www.sevax.com](http://www.sevax.com)**



  
**SAINT-GOBAIN**  
**SEVA**



# SOLUTIONS SÉCURITÉ INCENDIE

Fire safety

SÉCURITÉ INCENDIE

**sevax**

SAINT-GOBAIN

HIGHER TECHNOLOGY



## SMA: LINTEL MOTORIZED LOCK

Lock designed for enclosure and access control  
(secondary function)



### SCOPE OF APPLICATION

- > Emergency exit and evacuation routes for all types of buildings open to the public
- > Single or double action doors

### TECHNICAL DATA

- > Bedded lock
- > Retractable bolt
- > Positive safety (emergency exit release on power outage)
- > Safe activated mechanism to standard NFS 61937 (1990)  
Data sheet XIV
- > CE (electricity compliance and CEM)
- > Supply voltage 24/48 V DC
- > Stainless steel cover

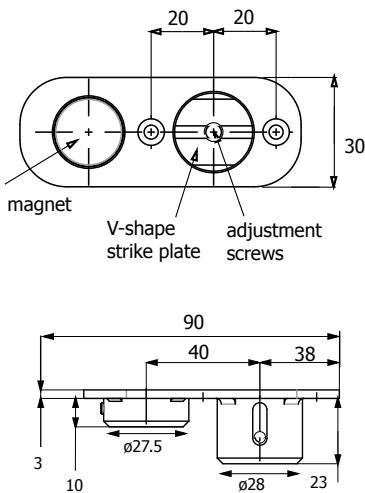
### BENEFITS



- > Sevax Patent
- > Reversible lock
- > Motorised bolt & adjustable strike plate
- > Embedded mounting
- > Low electricity consumption

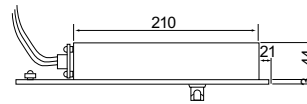
# SMA: LINTEL MOTORIZED LOCK

Lock designed for enclosure and access control  
and access control (secondary function)

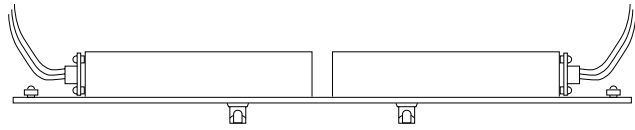


## CONFIGURATIONS

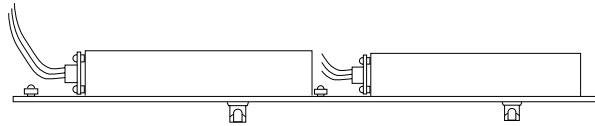
1 point lock



2 point symmetrical lock



2 point asymmetrical lock



## TECHNICAL MÉCANIQUES

- External cladding materials: aluminium, stainless steel and heat-treated alloy system
- Bolt made of heat-treated steel: 15 mm travel
- V-shape strike plate with 10 mm vertical adjustment
- Operating temperature:  $-10^{\circ}\text{C}$  to  $+40^{\circ}\text{C}$
- Horizontal installation of the lock in the upper transom

## TECHNICAL ELECTRICS

- Remote control voltage (very low safety voltage): 24/48 Volts
- Automatic voltage selector
- Protection index: IP 42
- Connection safety: polarity inversion protection
- Optional buzzer (two different tones)
- Relay output (NF) showing electrical current status (locked/unlocked/fault defect)
- Locking time delay (factory setting at 3 seconds)

## INTEGRATED DETECTION

- Unlocked exit: lock safety position contact switch
- Locked exit: lock waiting position contact switch
- Door locked: door unit safety position contact switch

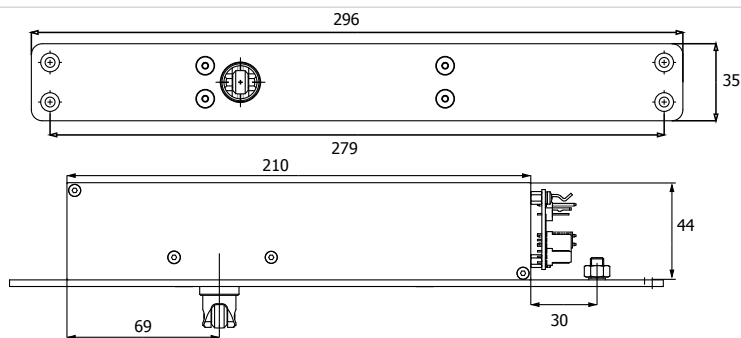
  
**SAINT-GOBAIN**  
**SEVA**

---

**SAINT-GOBAIN SEVA**  
 43, rue du Pont de Fer  
 BP 10176  
 71105 Chalon-s-Saône Cedex  
 FRANCE  
 Tél. +33 (0)3 85 47 25 59  
 Fax +33 (0)3 85 47 25 38

This document is for information only and is not contractually binding.

[www.sevax.com](http://www.sevax.com)



## INSTALLATION & SETTINGS

- Horizontal embedding of the lock in the upper transom
- Strike plate embedded in upper part of door leaf

\* See Price-list

## VARIANTS

- Strike plates for doors at least 40 mm
- Strike plates for doors at least 50 mm

## OPTIONS

- Electrical junction box approved for safety activated mechanisms
- Electrical cable (4 m)



## SMA: APPLIED TOP MOUNTED MOTORIZED LOCK

Lock designed for access control (*secondary function*)



### SCOPE OF APPLICATION

- > Emergency exit and evacuation routes for all types of buildings open to the public
- > Single or double action doors

### TECHNICAL DATA

- > Reversible wall-mounted lock
- > Retractable bolt
- > Positive safety (*emergency exit release on power outage*)
- > Safety activated mechanism to standard NFS 61937 (1990)  
- Data Sheet XIV
- > CE (*electricity compliance and CEM*)
- > 24/48 DC switchable supply voltage
- > Comes with 4 meter cable

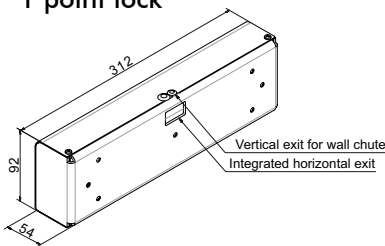
### BENEFITS



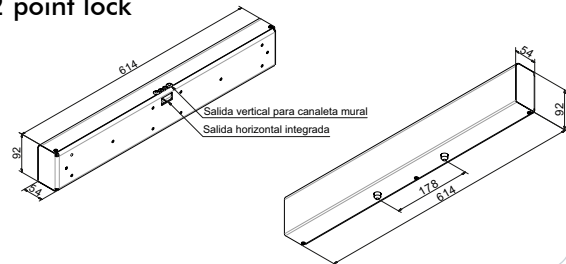
- > Sevax patent
- > Reversible lock
- > Motorised bolt & 2D adjustable strike plate
- > Wall-mounted
- > Ideal for renovation and compliance with door unit firewall standards
- > Relay output for additional information

## CONFIGURATIONS

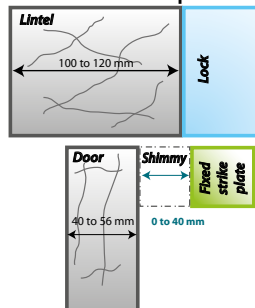
### 1 point lock



### 2 point lock



### Installation with fixed strike plate

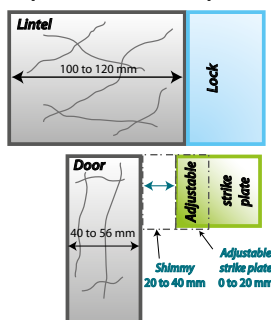


## TECHNICAL MECHANICAL

- External cladding materials: aluminium, stainless steel and heat-treated alloy steel
- Heat-treated alloy steel bolt - travel stroke: 12 mm
- V-shaped strike plate with 10 mm vertical adjustment and horizontal adjustment of 0 to 20 mm
- Operating temperature: - 10°C to + 40°C
- Horizontal installation
- 2 types of strike plate:



### Installation with adjustable strike plate

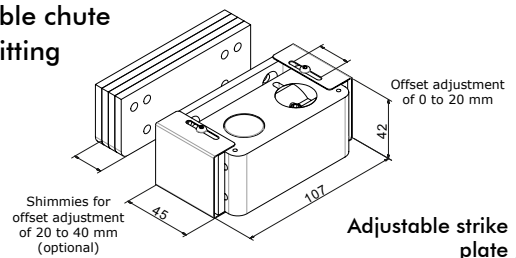
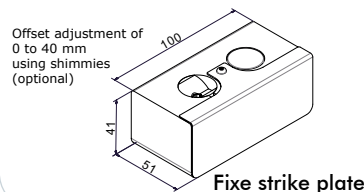


## TECHNICAL ELECTRICAL

- Remote control voltage (*very low safety voltage*): 24/48 DC -15%/+20% (*automatic sélection*)
- Envelope protection index: IP 42
- Polarity inversion protection
- Optional buzzer (two different tones)
- Relay exit (NF) showing electrical current status (*locked/unlocked/fault detected*)
- Locking time delay (*factory setting at 3 seconds*)

## INSTALLATION & SETTINGS

- Can be adapted to all types of mounts: left-hand or right-hand door leaf with single or double action
- Plate mounting for easy installation
- Strike plate adjusted from 0 to 40 mm
- 2 cable exits:
  - 1 vertical exit through visible chute
  - 1 horizontal exit for wall fitting



**SAINT-GOBAIN**  
**SEVA**

**SAINT-GOBAIN SEVA**

43, rue du Pont de Fer  
BP 10176  
71105 Chalon-s-Saône Cedex  
FRANCE

Tél. +33 (0)3 85 47 25 59  
Fax +33 (0)3 85 47 25 38

This document is for information only and is not contractually binding.

[www.sevax.com](http://www.sevax.com)



## OPTIONS

- Electrical connection junction box for safety activated mechanism.
- Set of shimmys for offset settings from 0 to 40 mm.

\* See Price-list





# ELECTROMAGNETIC LINTEL JANUS

Electrically powered hold open devices for swing doors



## SCOPE OF APPLICATION

- > Firewall doors:
  - Single or double action
  - Wood or metal

## TECHNICAL DATA

- > 500.000 openings tested EN 1154 cam mechanism
- > Opening and self-closing from  $-180^{\circ}$  à  $+180^{\circ}$
- > 3 speed adjustment providing very flexible operation
- > Electromagnetic hold-open during power outages, whether voluntary or involuntary (EN 1155)
- > Delivered with 3 meter cable and manual hold-open push-button
- > Stop position adjustable from  $70^{\circ}$  to  $120^{\circ}$
- > EN 1154: 1996 + A1: 2002 + AC: 2006
- > EN 1155: 1997 + A1: 2002 + AC: 2006

## BENEFITS



- > Invisible
- > Safe
- > Attractive
- > Flexible operation
- > 3 speed adjustment

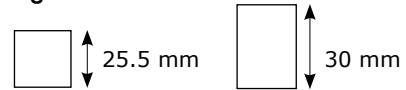
\* Floor spring no hold open stop use on fire / smoke evacuation door.  
Floor spring with hold open use only on evacuation door.

## VARIANTS

- > **Strength**
  - 3
  - 4
  - 5
- > **Voltage**
  - 24 V cc
  - 48 V cc

## ACCESSORIES

- > **Spindles**
- Parallel square of 15 mm



## CONDITIONS OF USE

- > **Suitable doors:**
- Maximum weight: **150 kg**
- Maximum height: **2.400 mm**

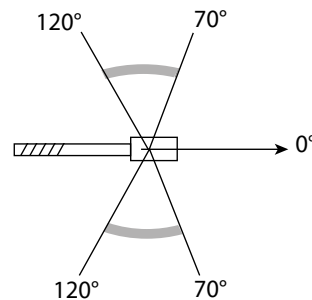
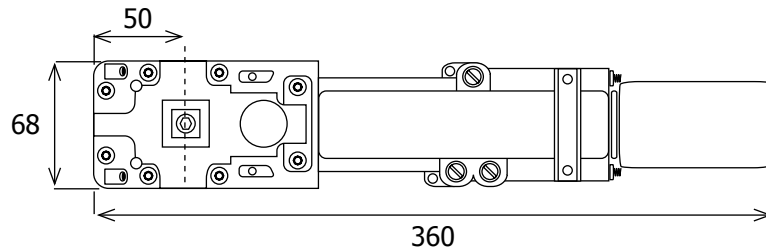
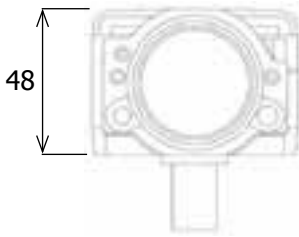
Adjustable strength according to following recommendations:

Strength	Recommended maximum width	Maximum opening torque (0°-4°)
3	950 mm	33 Nm
4	1.100 mm	47 Nm
5	1.250 mm	56 Nm

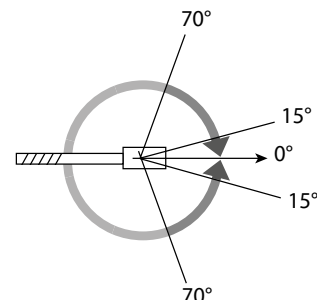
Note : Above performance values apply to standard terms of use, wind-free and vandalism-free.

## INSTALLATION

- > **Size**
  - Mechanism: 360 x 68 x 48 mm
- Installation instructions included



Stop adjustment strips (symmetrical)



Speed adjustment

Several product names:

- Janus AE2M
- Janus Asservi
- Lucifer

\* See Price-list

**SAINT-GOBAIN**  
**SEVA**

**SAINT-GOBAIN SEVA**

43, rue du Pont de Fer  
BP 10176  
71105 Chalon-s-Saône Cedex  
FRANCE

Tél. +33 (0)3 85 47 25 59  
Fax +33 (0)3 85 47 25 38

This document is for information only and is not contractually binding.

[www.sevax.com](http://www.sevax.com)



## CUSTOMISATION (SUBJECT TO MINIMUM QUANTITY)

- Full set including mounting plate





# ELECTROMAGNETIC GROUND JANUS

Floor spring Janus with electromagnetic



## SCOPE OF APPLICATION

- > Firewall doors
  - Single
  - Double action
  - Wood
  - Metal

## TECHNICAL DATA

- > 500.000 openings tested
- > 3 dimensional adjustment in its cement case
- > Opening and self-closing from  $-180^{\circ}$  +  $180^{\circ}$ \*
- > 3 speed adjustment providing very flexible operation
- > Electromagnetic hold-open during power outages (EN 1155)
- > Delivered with 3 meter and manual hold-open push-button
- > Stop position adjustable from  $70^{\circ}$  to  $120^{\circ}$
- > EN 1154: 1996 + A1: 2002 + AC: 2006
- > EN 1155: 1997 + A1: 2002 + AC: 2006

\* Floor spring no hold open stop use on fire / smoke evacuation door.  
Floor spring with hold open use only on evacuation door.

## BENEFITS



- > Safe
- > Attractive
- > Flexible
- > 3 speed adjustable

**sevax**

SAINT-GOBAIN

HIGHER TECHNOLOGY

### VARIANTS

> **Strength**

- 3
- 4
- 5

> **Removable spindles**



> **Voltage**

- 24 V cc
- 48 V cc

### COVER PLATES

- Fixation on cement case
- Polished stainless steel plate:  
400 x 120 mm

### CONDITIONS OF USE

> **Suitable doors:**

- Maximum door weight: **150 kg**
- Maximum door height: **2.400 mm**

Note: Above performance values apply to standard terms of use wind-free and vandalism-free.

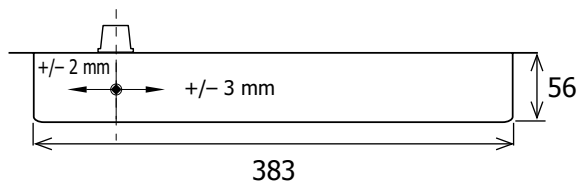
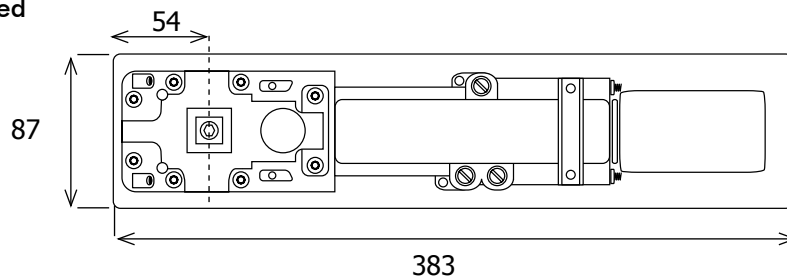
Strength	Recommended maximum width	Maximum opening torque (0°-4°)
3	950 mm	33 Nm
4	1.100 mm	47 Nm
5	1.250 mm	56 Nm

### INSTALLATION

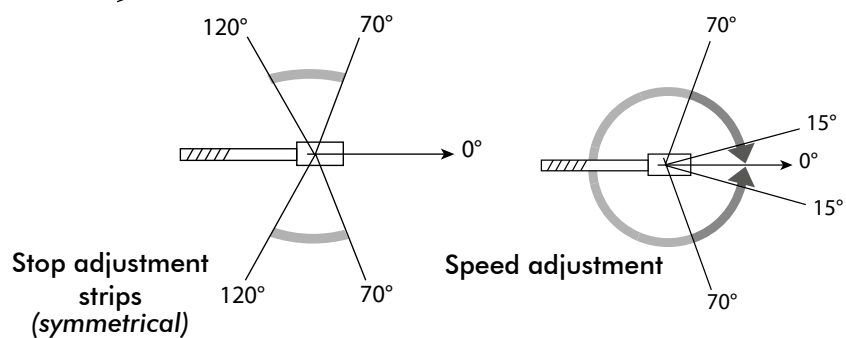
> **Size**

	Height	Length	Width
Mechanism	48 mm	360 mm	68 mm
Casing	56 mm	383 mm	87 mm

Installation instructions included



View from above +/- 3 mm



**Several product names:**

- Janus AE2M
- Janus Asservi
- Lucifer

**SAINT-GOBAIN**  
**SEVA**  
**SAINT-GOBAIN SEVA**  
43, rue du Pont de Fer  
BP 10176  
71105 Chalon-s-Saône Cedex  
FRANCE  
Tél. +33 (0)3 85 47 25 59  
Fax +33 (0)3 85 47 25 38

This document is for information only and is not contractually binding.

[www.sevax.com](http://www.sevax.com)



\* See Price-list



# FIRE SAFETY SERIE ELECTROMAGNETIC

## DAMPERS

Door hold-open system



### SCOPE OF APPLICATION

- > Partitioning or compartmentalising firewall doors

### TECHNICAL DATA

- > Average values (20 daN model)

	Power rating	Intensity
24 V	0.60 W	24 mA
48 V	1.15 W	24 mA

- > Multi-directional back plate
- > White lacquered housing
- > EN 1155: 1997 + A1: 2002 + AC: 2006

### BENEFITS



- > EN 1155
- > Easy to use
- > Rugged

## VARIANTS

- > Wall mounting
- > Fixed to floor
- > 20 daN
- > 24 volts
- > 48 volts
- > 50 daN

## ACCESSORIES

- > Universal multi-directional mounting support
  - Floor
  - Wall

\* See Price-list

## REFERENCES

## REFERENCES

### Applied

- DAMPER VIRA2024 + BACK PLATE
- DAMPER VIRA2048 + BACK PLATE

**WA758230**


**WA758231**

### Ground sited

- DAMPER VIRP2024
- DAMPER VIRP2048

**WA758234**

**WA758235**



**SAINT-GOBAIN**

---

**SEVA**

---

**SAINT-GOBAIN SEVA**

43, rue du Pont de Fer  
BP 10176  
71105 Chalon-s-Saône Cedex  
FRANCE

Tél. +33 (0)3 85 47 25 59  
Fax +33 (0)3 85 47 25 38

This document is for information only and is not contractually binding.

[www.sevax.com](http://www.sevax.com)





## WHEELED DOOR LEAF SELECTORS

System for controlled opening of two door leaves  
in a door unit



### SCOPE OF APPLICATION

- > Double door leaf door unit

### TECHNICAL DATA

- > Wheeled mechanism holds the first door leaf open while the second door leaf closes
- > Wall-mounted
- > Tested for 500.000 cycles
- > Reversible for left-hand or right-hand priority door leaf
- > Nickel steel finish
- > EN 1158: 1997 + A1: 2003 + ZA

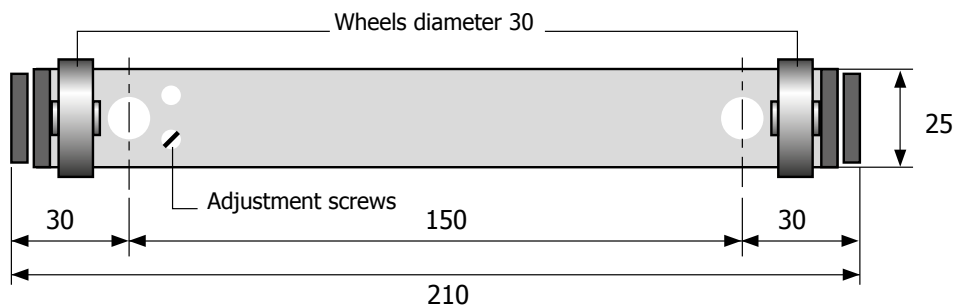
### BENEFITS



# WHEELED DOOR LEAF SELECTORS

System for controlled opening of two door leaves in a door unit

## INSTALLATION



## REFERENCES

- WHEELED LEAF SELECTOR SP81 SILVER FINISH

## REFERENCES

**WA762683X**

  
**SAINT-GOBAIN**  
**SEVA**

### SAINT-GOBAIN SEVA

43, rue du Pont de Fer  
BP 10176  
71105 Chalon-s-Saône Cedex  
FRANCE

Tél. +33 (0)3 85 47 25 59  
Fax +33 (0)3 85 47 25 38

This document is for information only and is not contractually binding.

[www.sevax.com](http://www.sevax.com)



  
**SAINT-GOBAIN**  
**SEVA**



**SOLUTIONS**  
**H A B I T A T**  
Interiors

**sevax**  
SAINT-GOBAIN  
H I G H E R   T E C H N O L O G Y

HABITAT





## JET SET WOOD



**NEW  
2016**

### SCOPE OF APPLICATION

This product is intended for interior use only.

- > Interior doors
- > Door types:
  - Wood

### TECHNICAL DATA

- > Stainless steel kit: a headband and 6 pebbles in stainless steel
- > Wall-mounting device of pebbles
- > Fixation of the headband on the door

### DOOR SIZE

<i>Model</i>	<i>Thickness</i>	<i>Width</i>	<i>Height</i>	<i>Maximum weight</i>
Wood	40 mm	730 or 830 mm	2.040 mm	35 kg

### BENEFITS

- > Attractive
- > Space saving
- > Easy to manoeuvre
- > Easy to install
- > New or renovation

# JET SET GLASS



## SCOPE OF APPLICATION

This product is intended for interior use only.

- > Interior doors
- > Door types:
  - Tempered glass

## TECHNICAL DATA

- > Stainless steel kit: a headband and 6 pebbles in stainless steel
- > Wall-mounting device of pebbles
- > Fixation of the headband on the door

## BENEFITS

- > Attractive
- > Space saving
- > Easy to manoeuvre
- > Easy to install
- > New or renovation

  
**SAINT-GOBAIN**  
**SEVA**

### SAINT-GOBAIN SEVA

43, rue du Pont de Fer  
BP 10176  
71105 Chalon-s-Saône Cedex  
FRANCE

Tél. +33 (0)3 85 47 25 59  
Fax +33 (0)3 85 47 25 38

This document is for information only and is not contractually binding.

[www.sevax.com](http://www.sevax.com)



## DOOR SIZE

<i>Model</i>	<i>Thickness</i>	<i>Width</i>	<i>Height</i>	<i>Maximum weight</i>
Glass	8 or 10 mm	825 mm	2.028 mm	35 kg

## INSTALLATION

- Note and plan supplied included
- Drawing of cut of the glass

\* See Price-list

  
**SAINT-GOBAIN**  
**SEVA**



## SIRIUS WOOD



### SCOPE OF APPLICATION

This product is intended for interior use only.

- > Interior doors on sliding tubes
- > Door types:
  - wood

### TECHNICAL DATA

- > Stainless steel kit
- > Rollers mounted on ball bearings
- > Unhinge-proof safety
- > Integrated stainless steel round handle for glass door kit

### CONDITIONS OF USE

<i>Model</i>	<i>Thickness</i>	<i>Width</i>	<i>Height</i>	<i>Maximum weight</i>
Wood	40 to 50 mm	730 to 930 mm	–	35 kg

### BENEFITS

- > Attractive
- > Space saving
- > Easy to manoeuvre
- > Easy to install
- > New or renovation

# SIRIUS GLASS



## CONDITIONS OF USE

<i>Model</i>	<i>Thickness</i>	<i>Width</i>	<i>Height</i>	<i>Maximum weight</i>
Glass	8 mm	730 to 930 mm	2 028 mm	35 kg

## INSTALLATION

Installation instructions and diagram provided for tempered glass door leaf.

\* See Price list

  
**SAINT-GOBAIN**  
**SEVA**

### SAINT-GOBAIN SEVA

43, rue du Pont de Fer  
BP 10176  
71105 Chalon-s-Saône Cedex  
FRANCE

Tél. +33 (0)3 85 47 25 59  
Fax +33 (0)3 85 47 25 38

This document is for information only and is not contractually binding.

[www.sevax.com](http://www.sevax.com)



  
**SAINT-GOBAIN**  
**SEVA**





**sevax**

**SAINT-GOBAIN**

H I G H E R T E C H N O L O G Y

**Saint-Gobain SEVA**

43 rue du Pont de Fer  
71105 Chalon-sur-Saône Cedex

Tél. : + 33 (0)3 85 47 25 42

Fax : + 33 (0)3 85 47 25 38

[www.sevax.com](http://www.sevax.com)

